

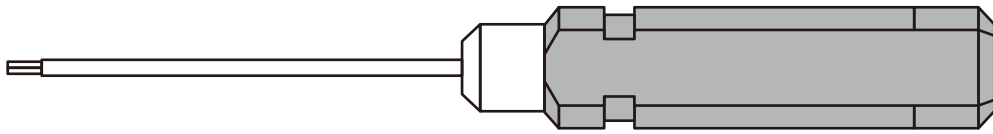
RC4WD GELANDE II KIT W/ 2015 LAND ROVER DEFENDER D90 HARD BODY SET



OFFICIALLY LICENSED



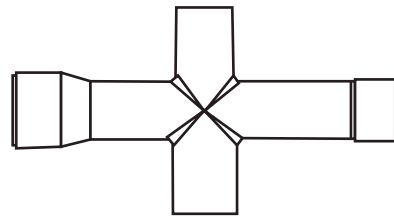
Recommended Tools



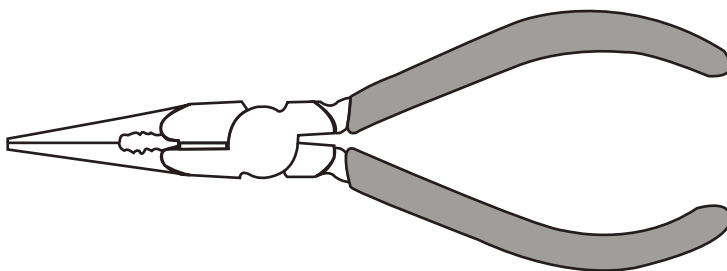
Hex Drivers (1.5mm, 2mm, 2.5mm)



Thread Lock



Cross Wrench



Long Nose Pliers

Tips for Assembly

Use good quality hex drivers to avoid stripping screw heads.

Use thread lock when putting metal screws into metal parts.

Note: Steps marked with an asterisk (*) require thread lock.

Use thread lock sparingly.

Do not over tighten screws otherwise you may strip the thread.



Warranty

RC4WD non-electrical products are warranted to be free of defects in materials and workmanship when new. Our limited warranty does not cover damages due to normal wear and tear, user error of assembly or installation, user modifications, user's failure to perform routine maintenance, addition of aftermarket parts or option parts. This warranty lasts 30 days after arrival for original purchaser.

In the event of a defect under this warranty, RC4WD will, at our discretion, replace the product, provided our inspection indicates that an original defect exists. RC4WD reserves the right to replace any product which is no longer available with a product of comparable value and function. If RC4WD determines the repair is not covered under warranty guidelines, we will contact you to discuss your options. If you have any questions, please contact us via email at support@rc4wd.com.

RC4WD warrants its electronics for 30 days from date of arrival. This covers all electrical items except items that are already noted on the individual product page.

Los productos no eléctricos RC4WD están garantizados como libres de defectos en materiales y mano de obra cuando son nuevos. Nuestra garantía limitada no cubre los daños debidos al desgaste normal, a errores de montaje o instalación por parte del usuario, a modificaciones del usuario, a la falta de mantenimiento rutinario por parte del usuario, a la adición de piezas de recambio o a piezas opcionales. Esta garantía dura 30 días después de la fecha de entrega para el comprador original.

En el caso de un defecto bajo esta garantía, RC4WD, a nuestra discreción, reemplazará el producto, siempre que nuestra inspección indique que existe un defecto original. RC4WD se reserva el derecho de sustituir cualquier producto que ya no esté disponible por otro de valor y función comparables. Si RC4WD determina que la reparación no está cubierta por la garantía, nos pondremos en contacto con usted para discutir sus opciones. Si tiene alguna pregunta, por favor contáctenos por correo electrónico a support@rc4wd.com.

RC4WD garantiza su electrónica por 30 días a partir de la fecha de entrega. Esto cubre todos los artículos eléctricos, excepto los que ya están anotados en la página del producto individual.

Les produits non électriques RC4WD sont garantis comme étant exempts de défauts de matériaux et de fabrication lorsqu'ils sont neufs. La garantie limitée ne couvre pas les dommages dus à l'usure normale, aux erreurs de montage ou d'installation de l'utilisateur, aux modifications apportées par l'utilisateur, au défaut d'entretien courant de l'utilisateur, à l'ajout de pièces de rechange ou de pièces optionnelles. Cette garantie dure 30 jours à compter de la date d'arrivée de l'acheteur initial.

En cas de défaut au titre de cette garantie, RC4WD remplacera, à notre discrétion, le produit, à condition que notre inspection indique qu'il s'agit d'un défaut d'origine. RC4WD se réserve le droit de remplacer tout produit indisponible par un produit de valeur et de fonction comparables. Si RC4WD détermine que la réparation n'est pas couverte par les directives de garantie, nous vous contacterons pour discuter des possibilités qui s'offrent à vous. Si vous avez des questions, veuillez nous contacter par courriel à support@rc4wd.com.

RC4WD garantit ses appareils électroniques pendant 30 jours à compter de la date d'arrivée. Cette garantie couvre tous les articles électriques, à l'exception de ceux qui sont déjà mentionnés sur la page de chaque produit.

Alle RC4WD, nicht elektrischen Produkte" sind garantiert frei von Materialfehlern durch die Produktion und Verarbeitung. Die Garantie deckt nicht Schäden aufgrund normaler Abnutzung, Benutzerfehler bei der Montage oder Installation, Änderungen durch den Benutzer, unterlassen der routinemäßigen Wartung durch den Benutzer, hinzufügen von Fremdteilen oder Optionsteile. Diese Garantie beträgt 30 Tage nach Kauf und Erhalt der Ware durch den Käufer. Im Falle eines Mangels im Rahmen dieser Garantie, wird RC4WD nach Ermessen und sofern nach einer Kontrolle ein ursprünglicher Defekt vorliegt, das Produkt austauschen.

RC4WD behält sich das Recht vor, Produkte die nicht mehr erhältlich sind, mit einem gleichwertigem Produkt mit vergleichbarer Funktion zu tauschen.

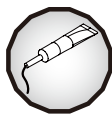
Wenn die Reklamation nicht mehr unter der Garantie fällt, wird Sie RC4WD für weitere Lösungen kontaktieren. Bei Fragen kontaktieren Sie uns bitte per E-Mail unter support@rc4wd.com.



Instruction Manual Symbols Key



Apply Thread Lock



Apply Grease



Glue



Trim with Hobby Knife



CA Glue



Remove



Cut with Scissors



Repeat or Build Multiple



Build Right and Left



Paint



Attention



Build Front and Rear

Tips for Assembly

- Use good quality hex drivers to avoid stripping screw heads.
- Open kit bags in order of assembly steps.
- Use “Step” index for quantity and size of hardware to be used for assembly.
- Do not over tighten screws.
- Use thread lock sparingly on metal parts.

Recommendations for building your RC4WD Trail Finder 2 Truck Kit

1. Carefully remove all parts from bags and sort them. Make sure to use threadlock on all screws in aluminum.
2. Do not over-tighten screws. Stripping screw heads and holes during assembly can happen if you are using too much force.



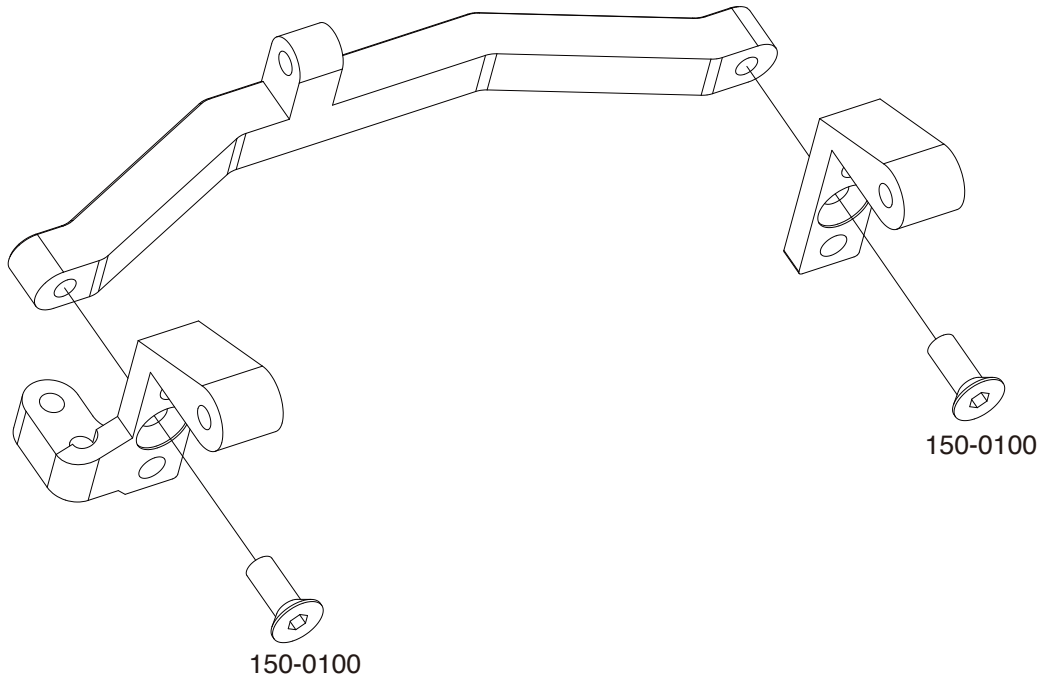
RC4WD

Step 1



X2

150-0100
M3 x 8mm FHCS



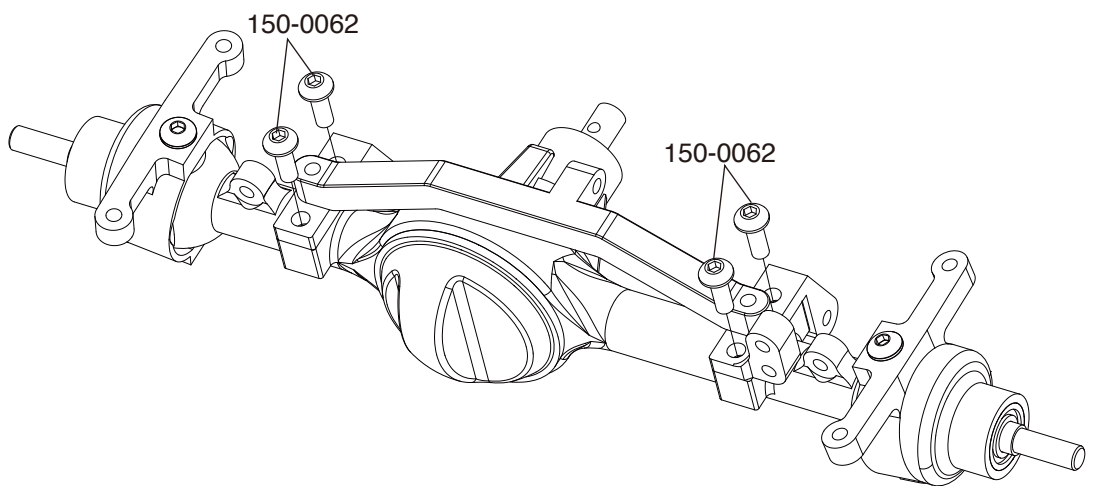
RC4WD

Step 2




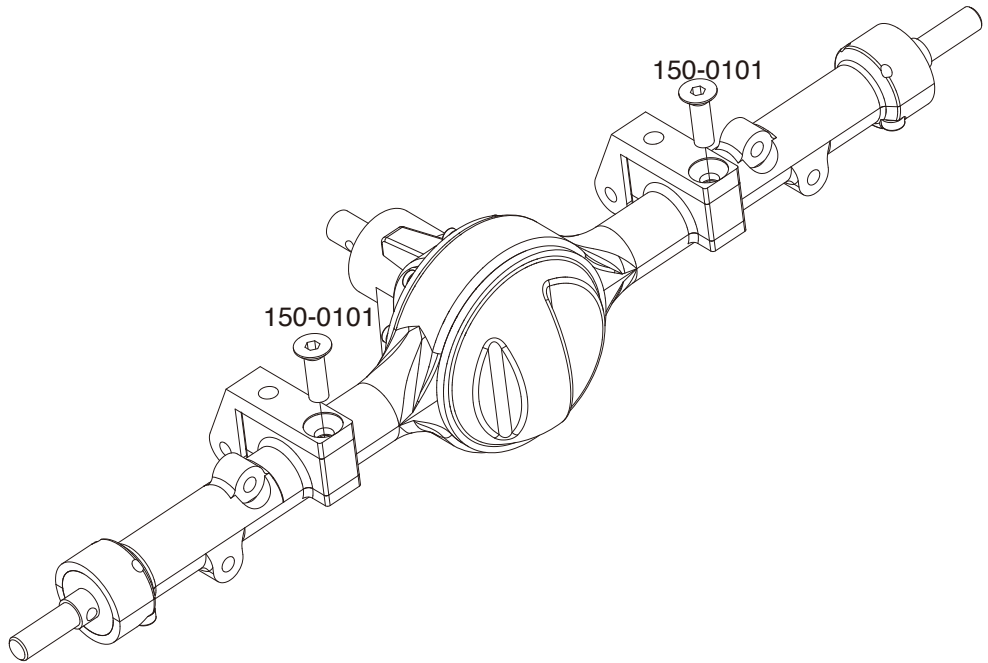
X4

150-0062
M3 x 8mm BHCS




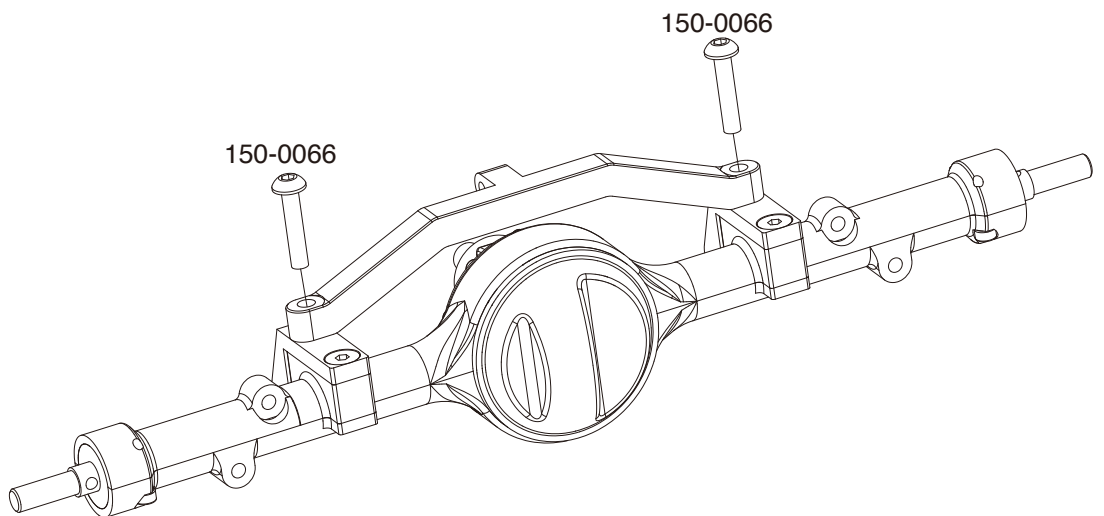
RC4WD
Step 3

 X2
150-0101
M3 x 10mm FHCS



RC4WD
Step 4

 X2
150-0066
M3 x 16mm BHCS

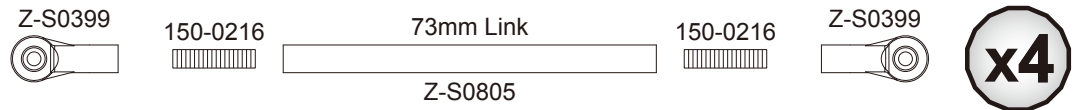
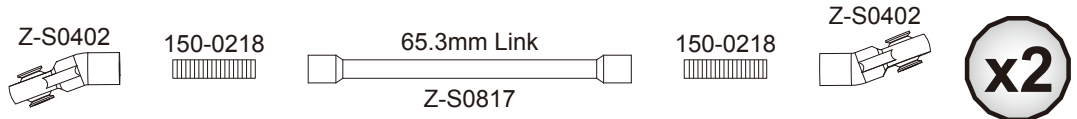
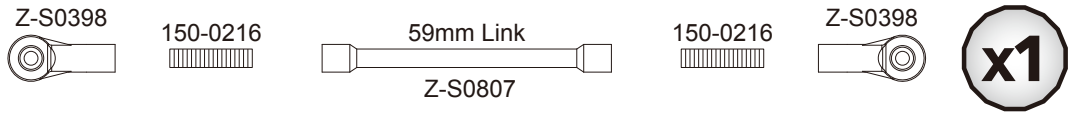


RC4WD

Step 5

 X4
150-0218
M3 x 10mm
Set Screw

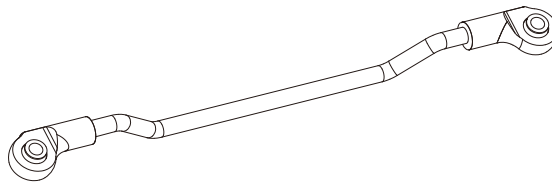
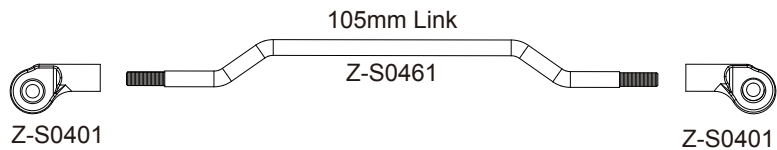
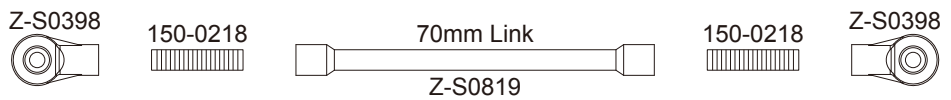
 X10
150-0216
M3 x 15mm
Set Screw




RC4WD

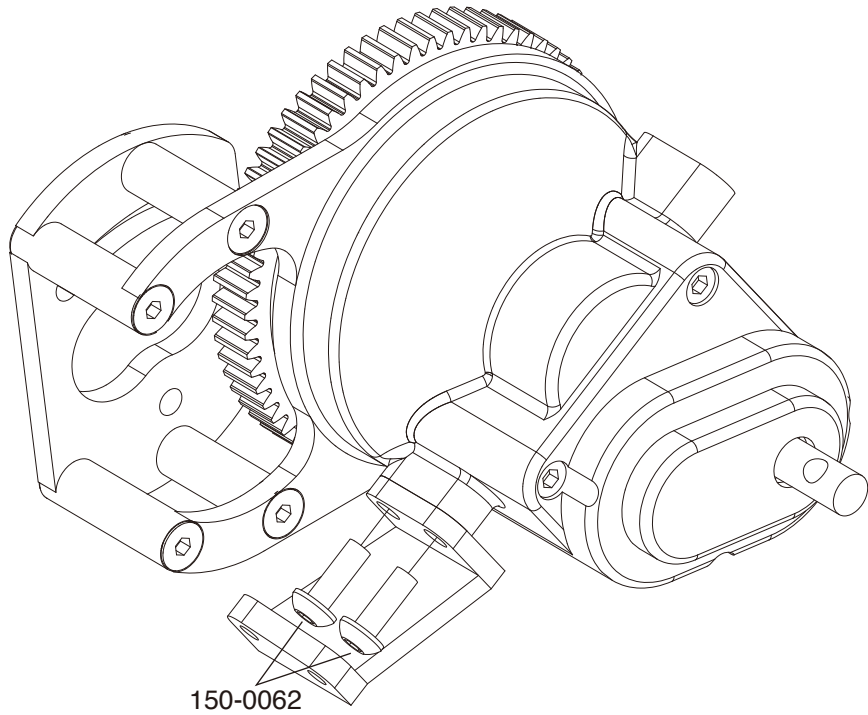
Step 6

 X4
150-0218
M3 x 10mm
Set Screw




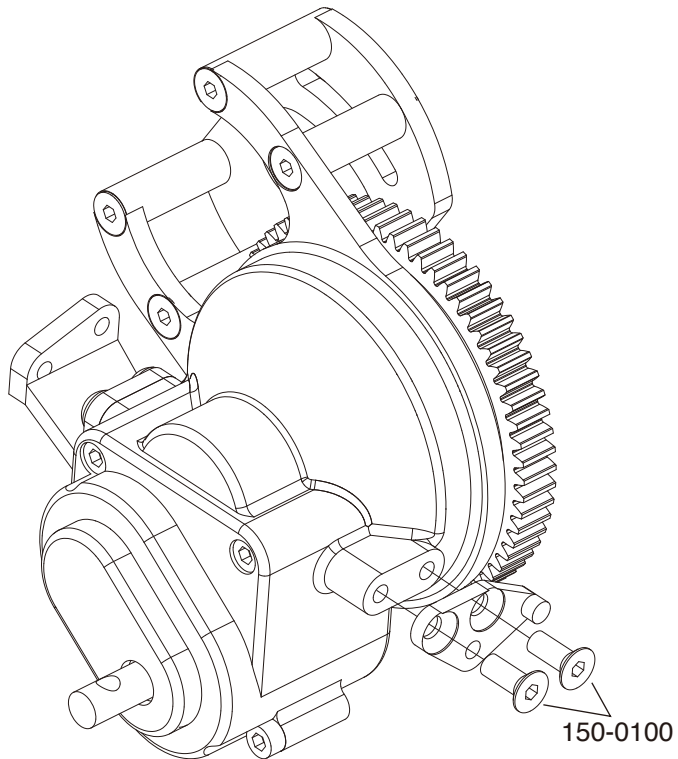
RC4WD
Step 7

 X2
150-0062
M3 x 8mm BHCS



RC4WD
Step 8

 X2
150-0100
M3 x 8mm FHCS



RC4WD

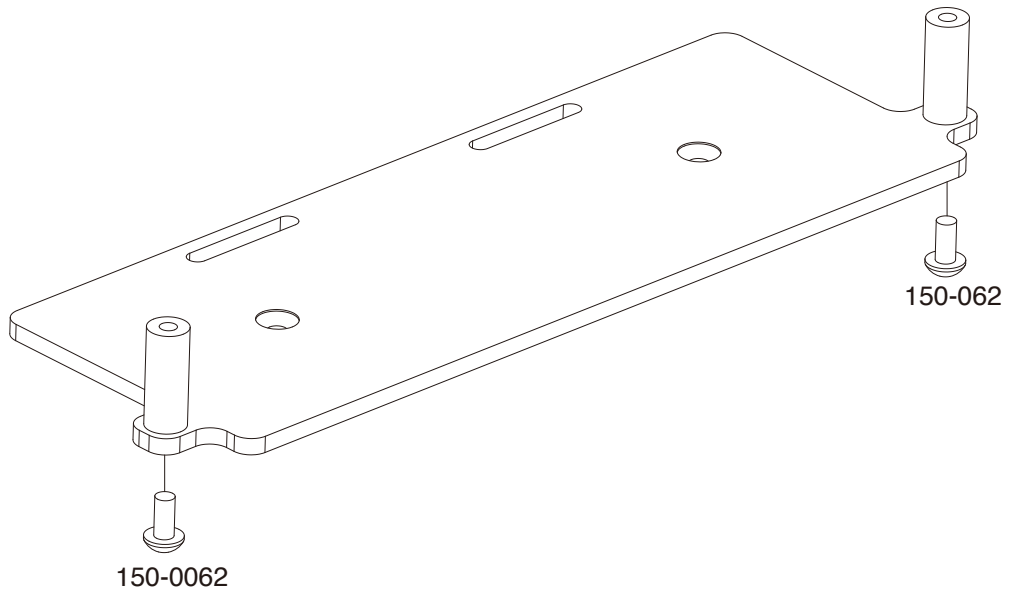
Step 9



X2

150-0062

M3 x 8mm BHCS



RC4WD

Step 10



X4

150-0064

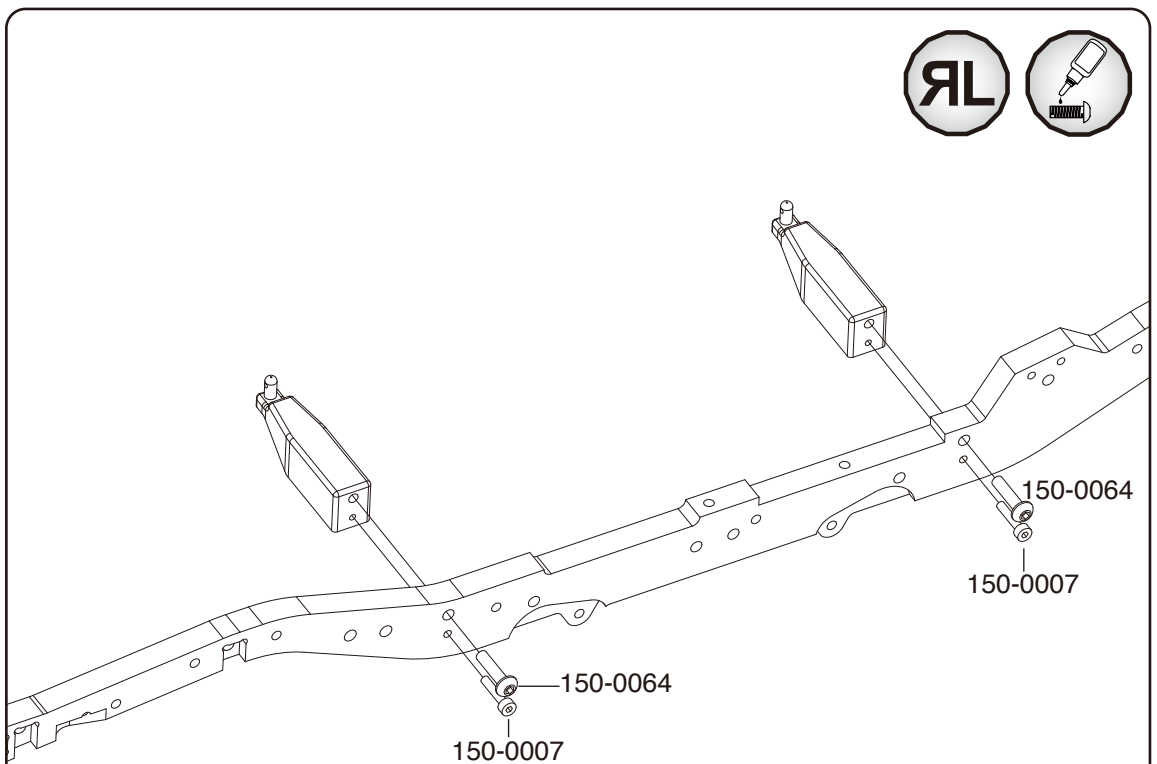
M3 x 12mm BHCS



X4

150-0007

M2 x 12mm SHCS



RC4WD

Step 11



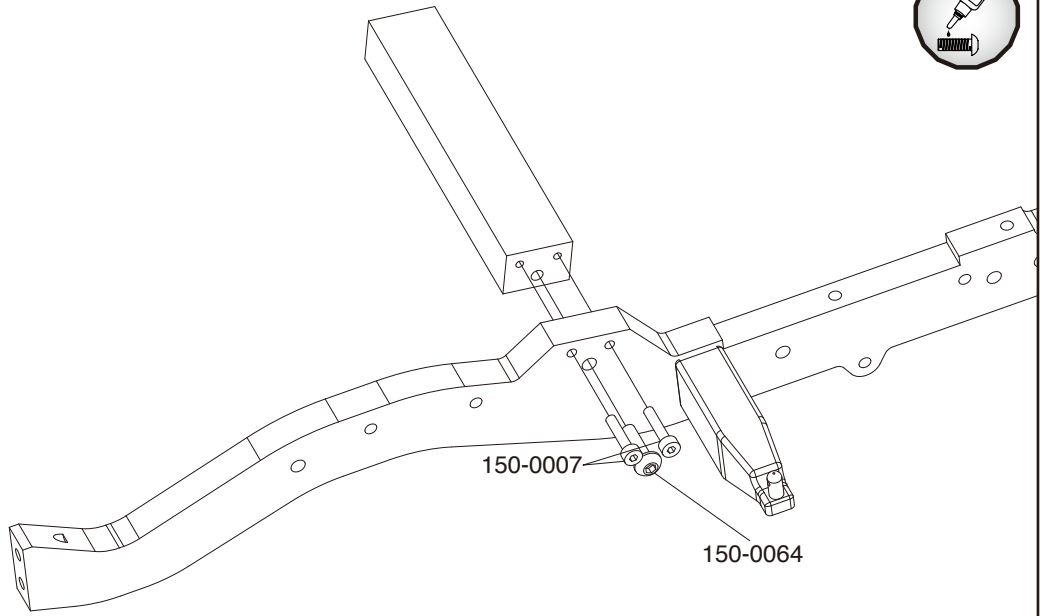
X2

150-0007
M2 x 12mm SHCS



X1

150-0064
M3 x 12mm BHCS



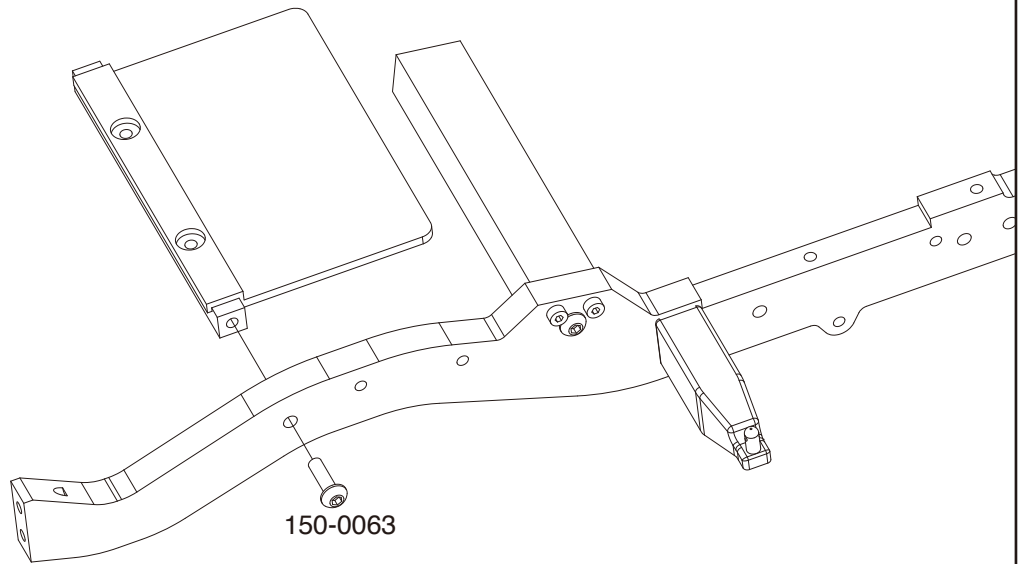
RC4WD

Step 12




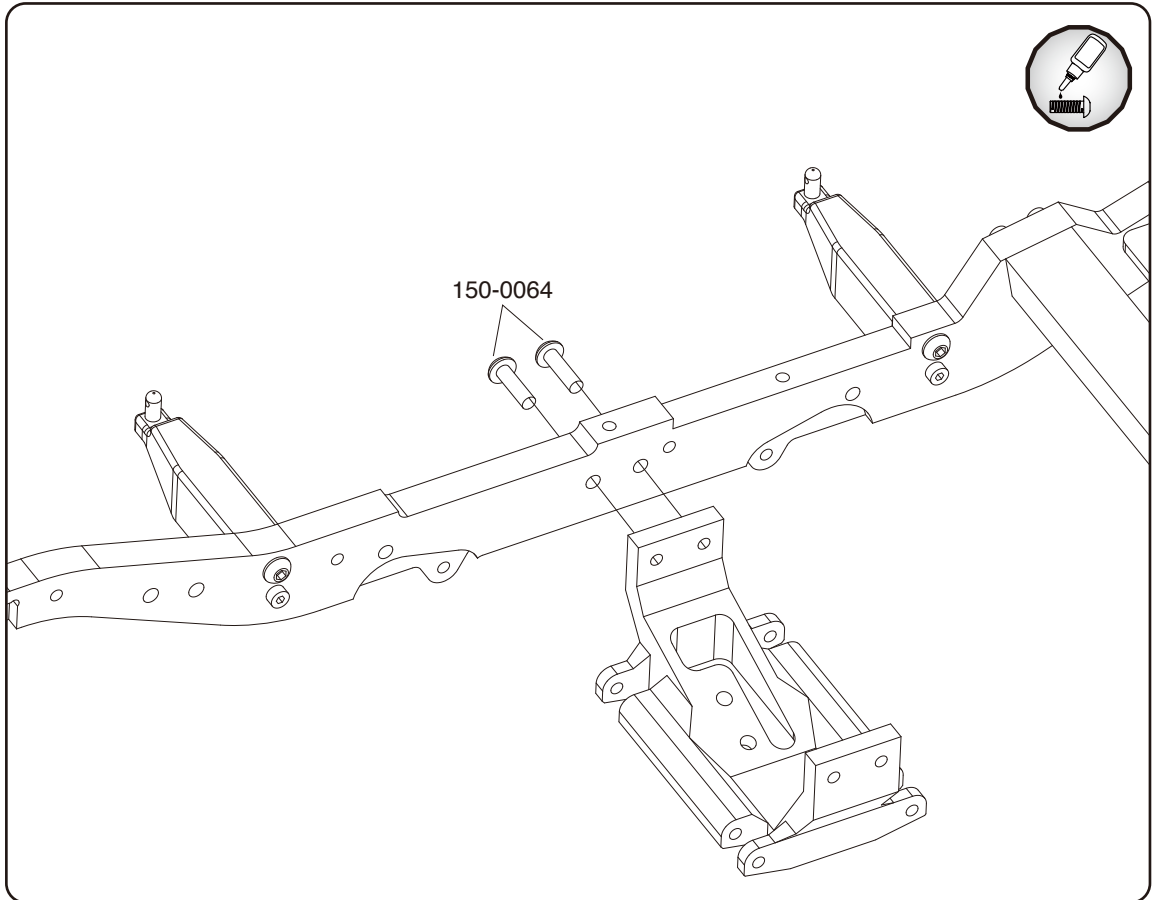
X1

150-0063
M3 x 10mm BHCS




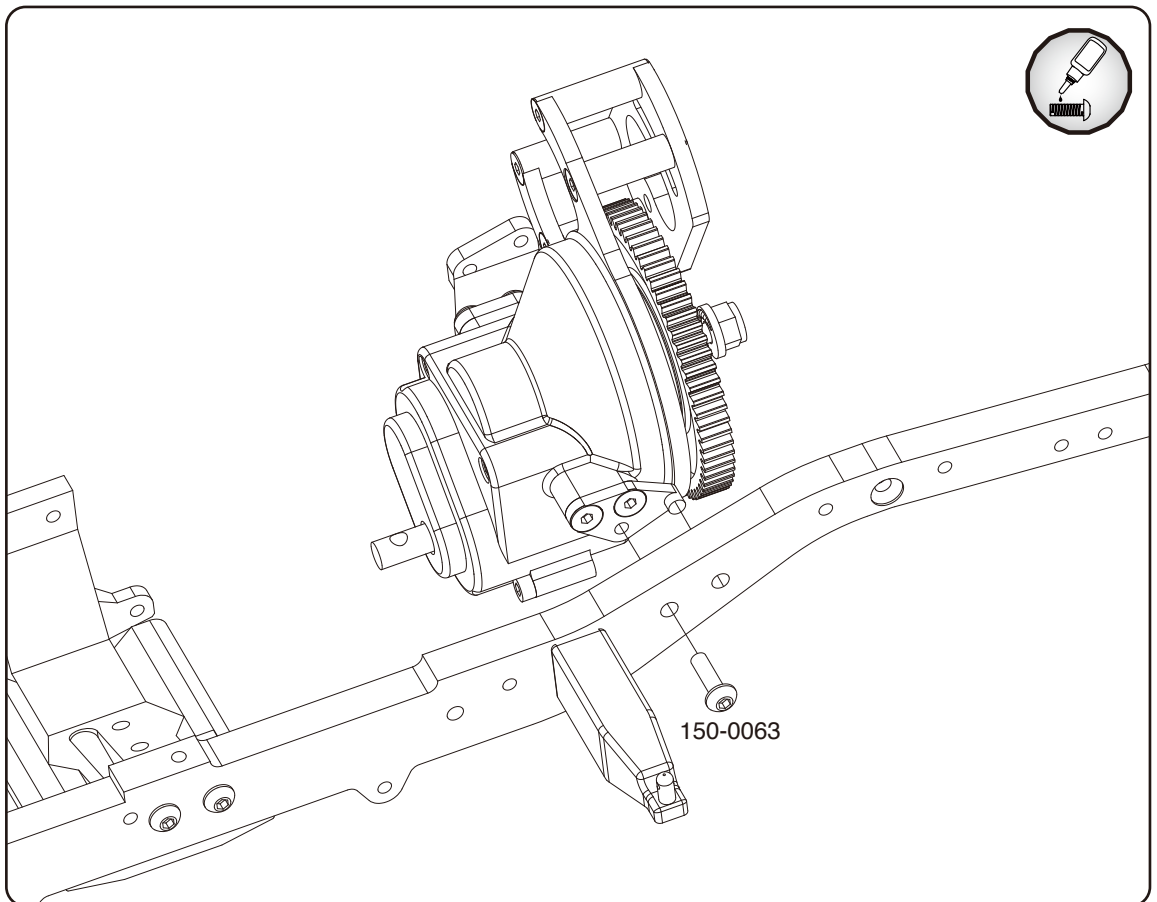
RC4WD
Step 13

 X2
150-0064
M3 x 12mm BHCS




RC4WD
Step 14


 X1
150-0063
M3 x 10mm BHCS




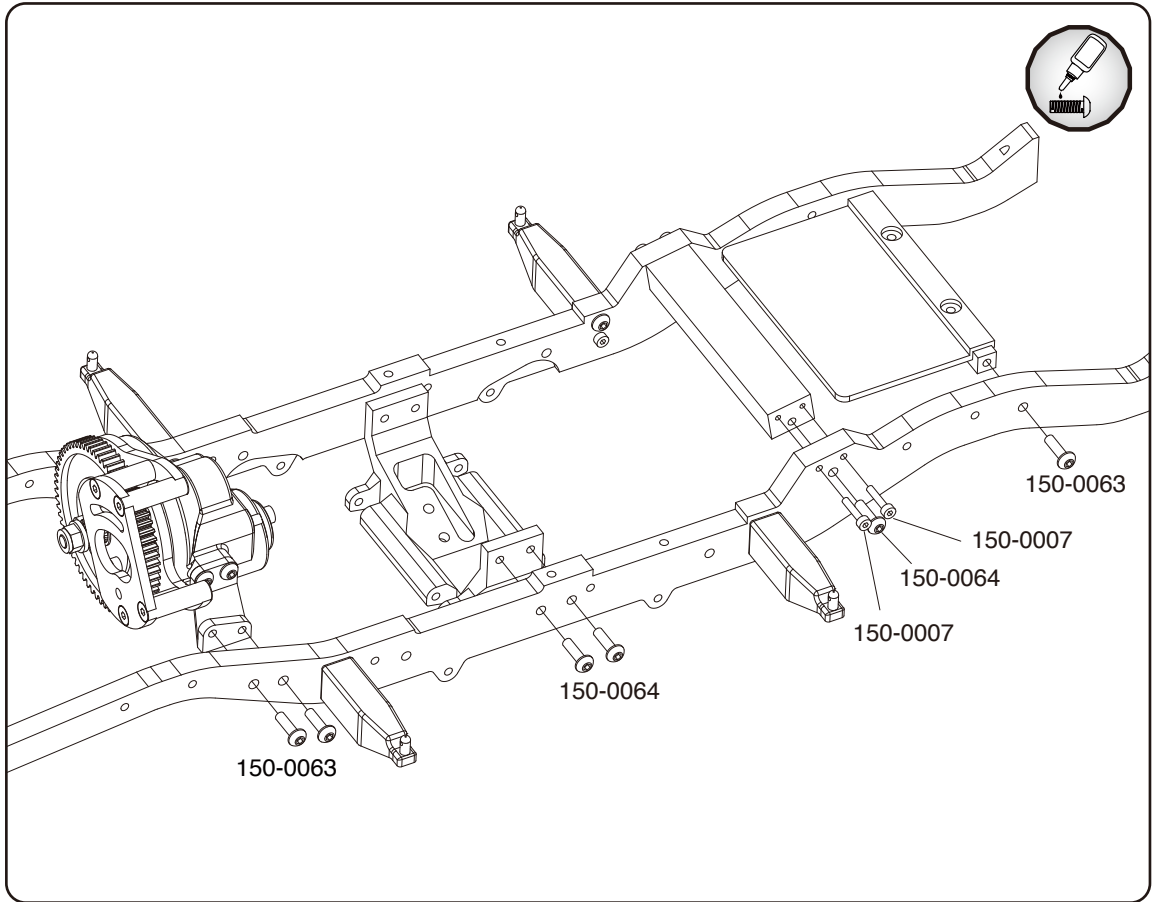
RC4WD

Step 15

 X3
150-0063
M3 x 10mm BHCS


 X3
150-0064
M3 x 12mm BHCS

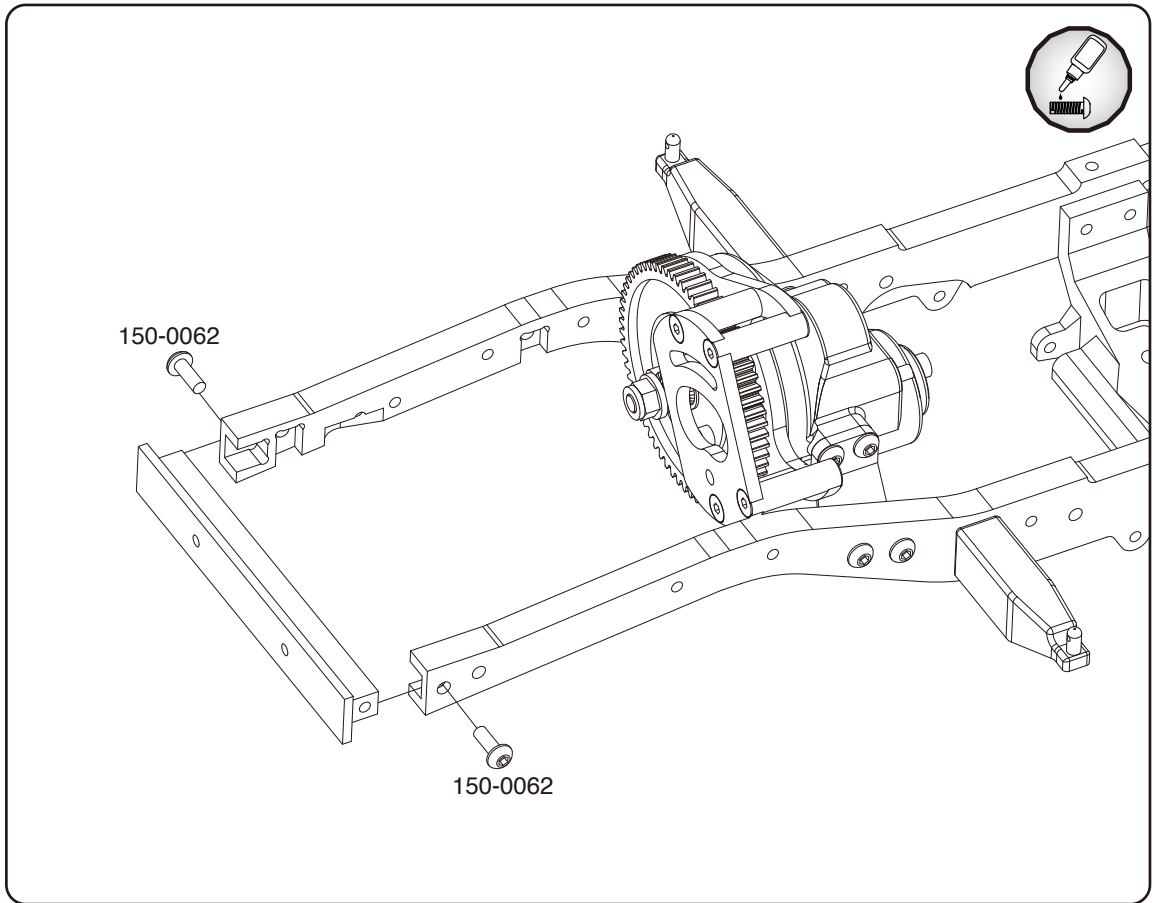
 X2
150-0007
M2 x 12mm SHCS




RC4WD

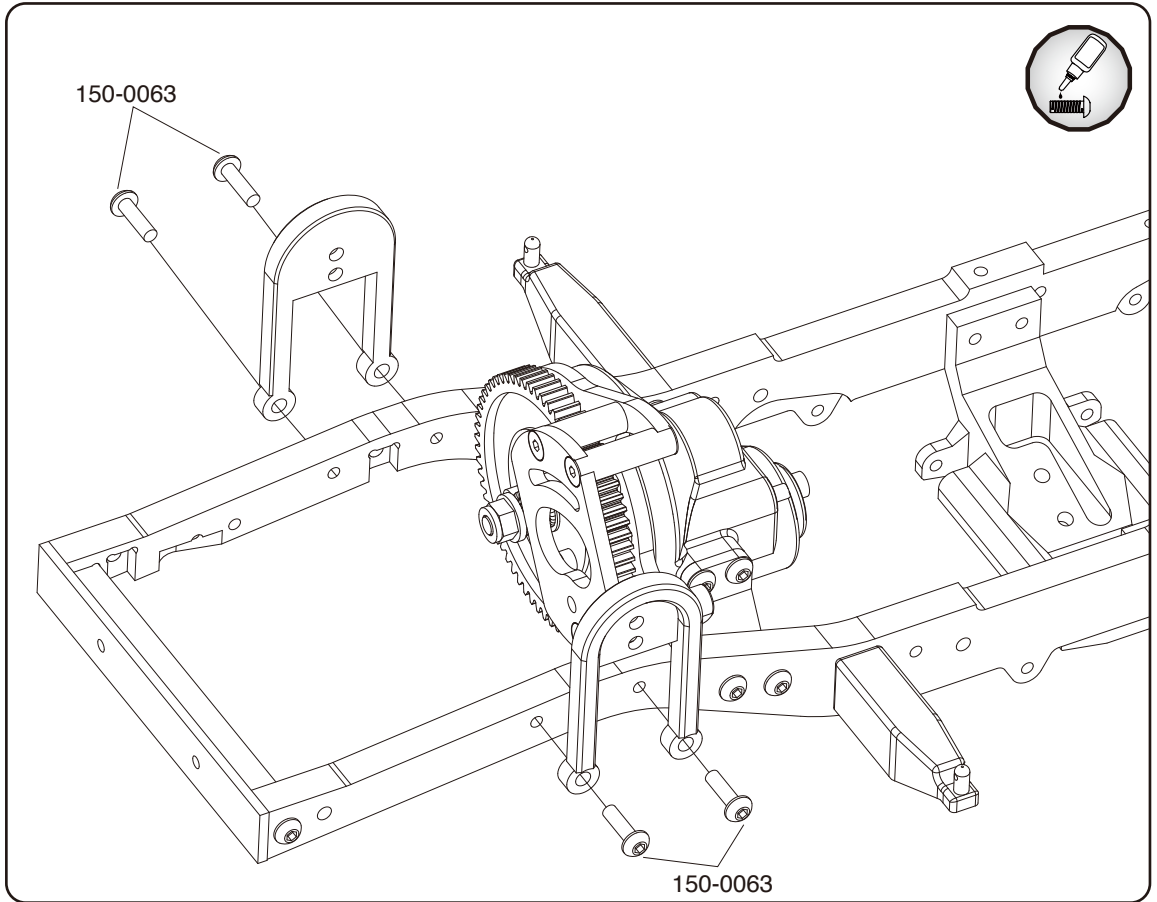
Step 16

 X2
150-0062
M3 x 8mm BHCS




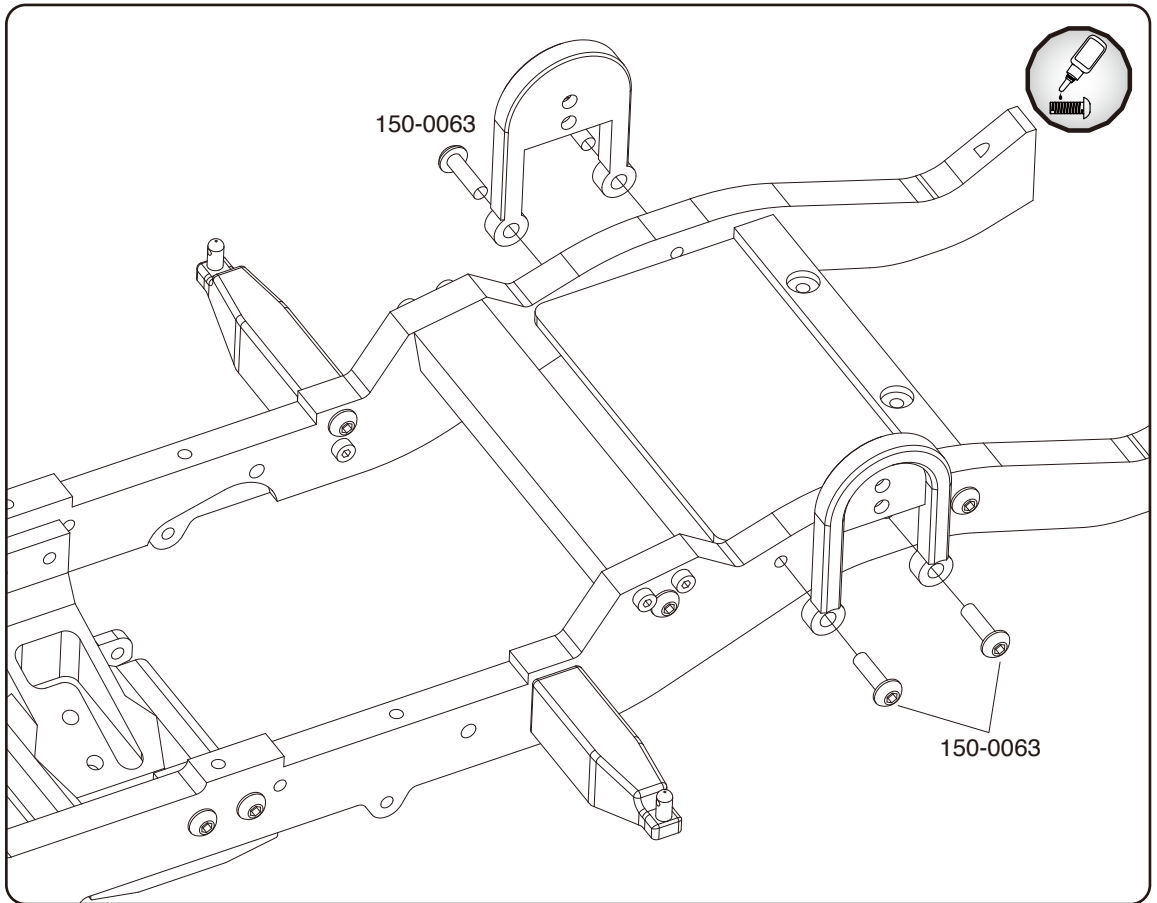
RC4WD
Step 17

 X4
150-0063
M3 x 10mm BHCS




RC4WD
Step 18


 X4
150-0063
M3 x 10mm BHCS

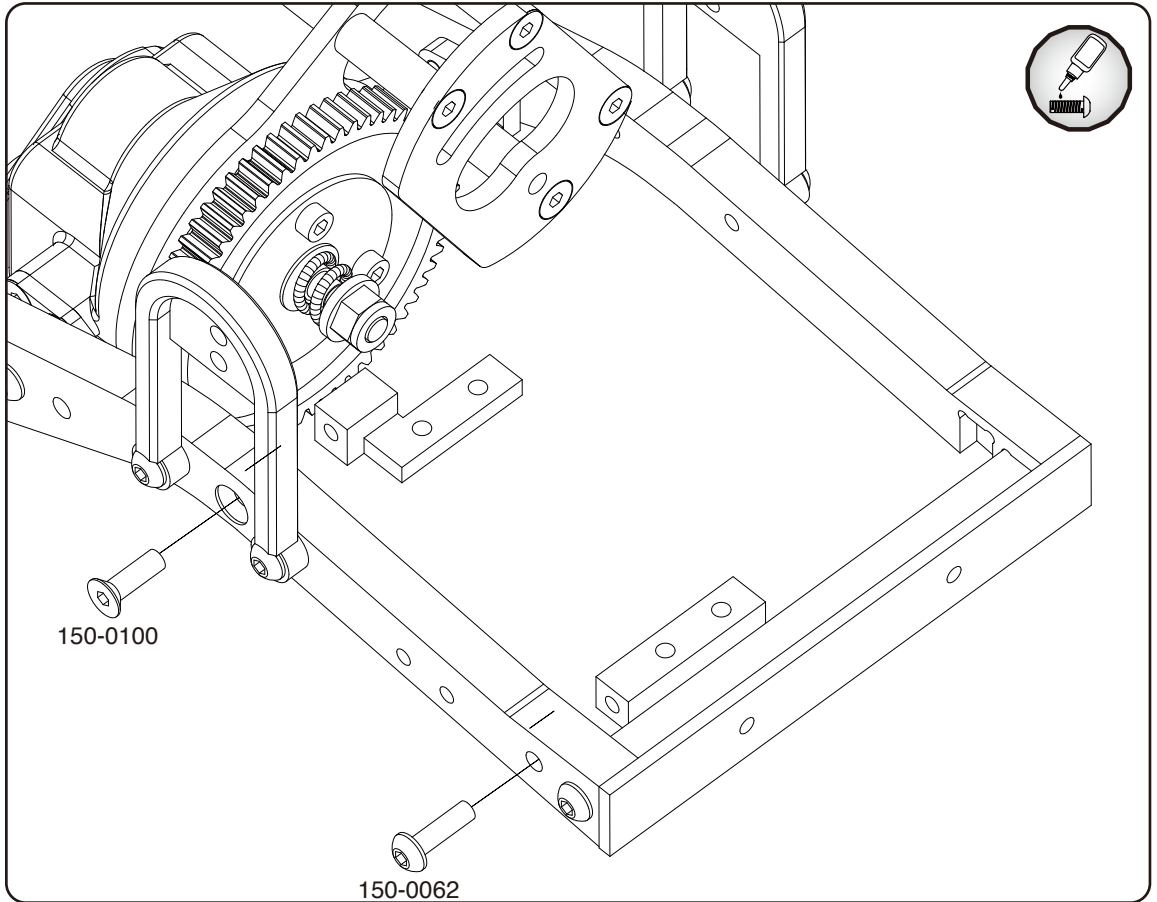


RC4WD

Step 19


 X1
150-0062
M3 x 8mm BHCS

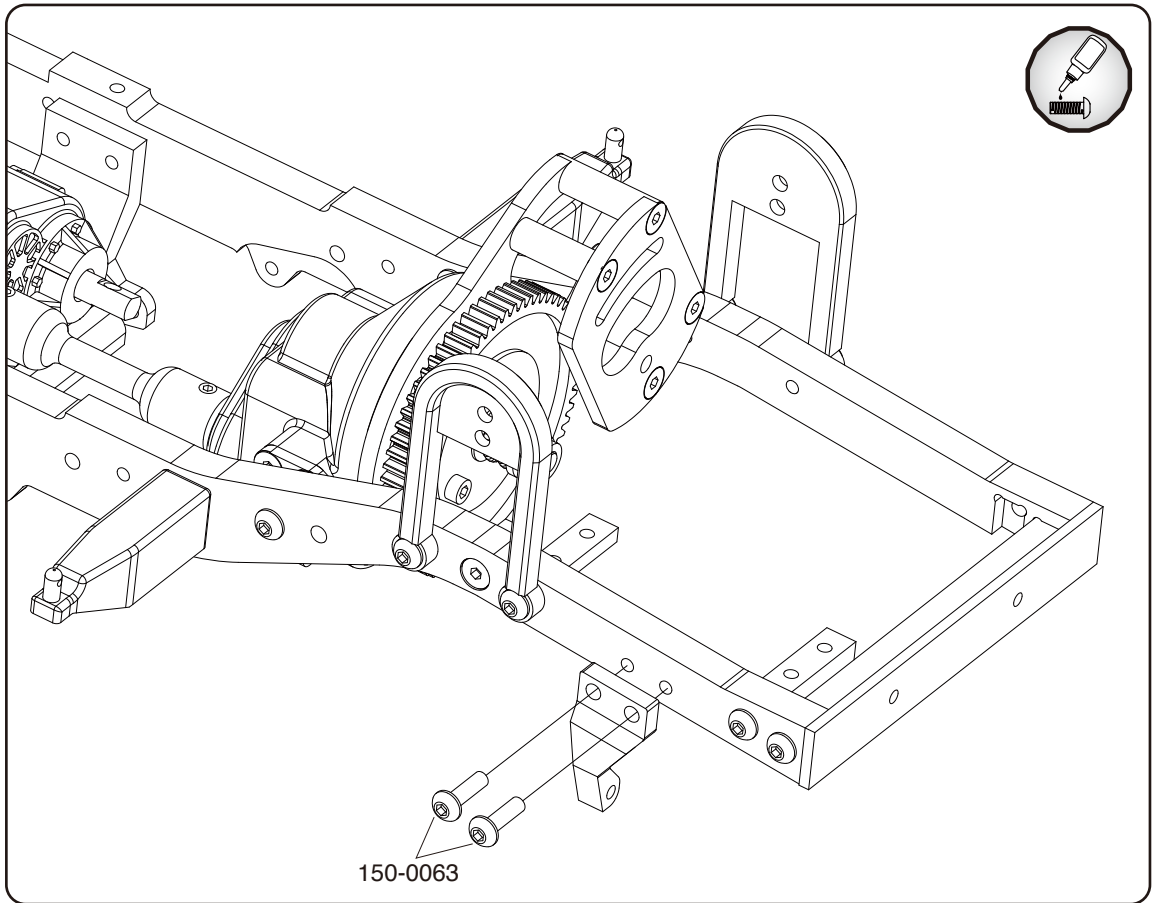
 X1
150-0100
M3 x 8mm FHCS




RC4WD

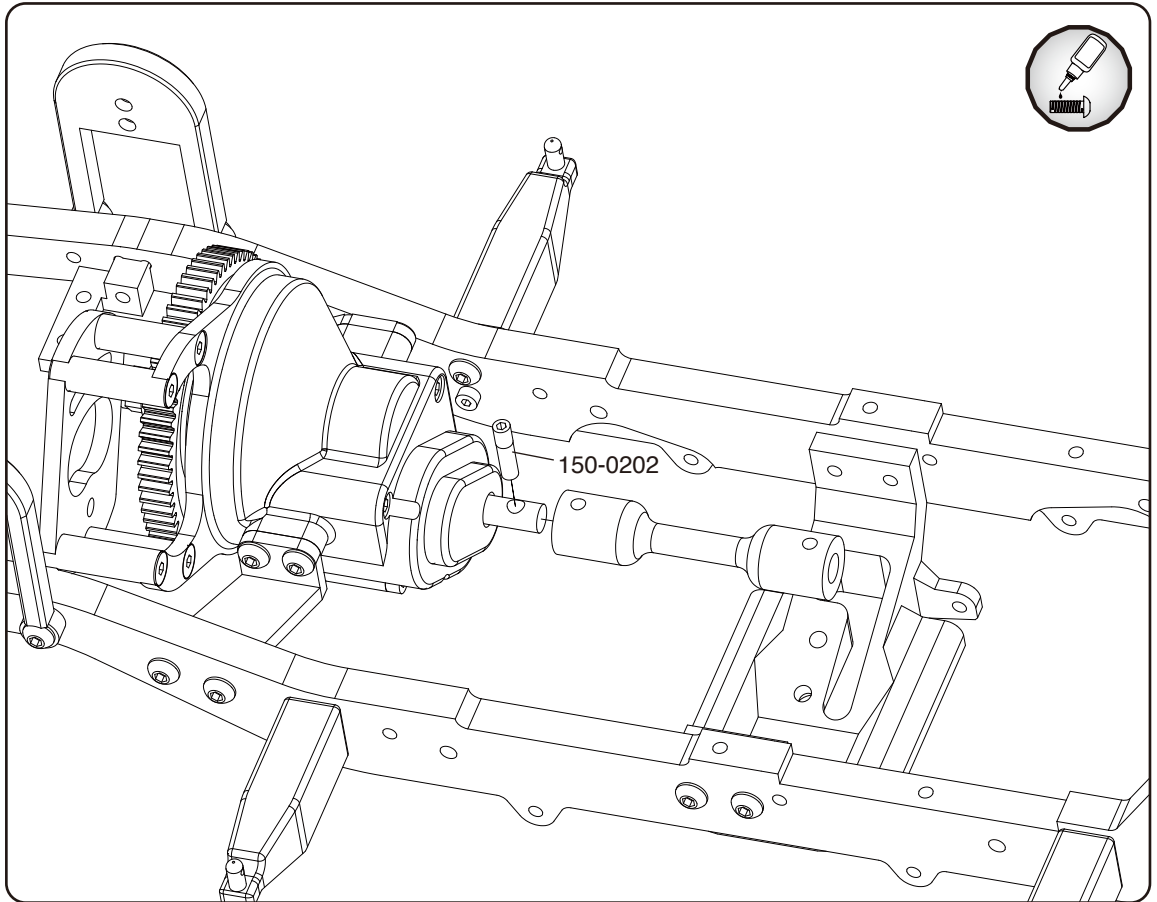
Step 20

 X2
150-0063
M3 x 10mm BHCS

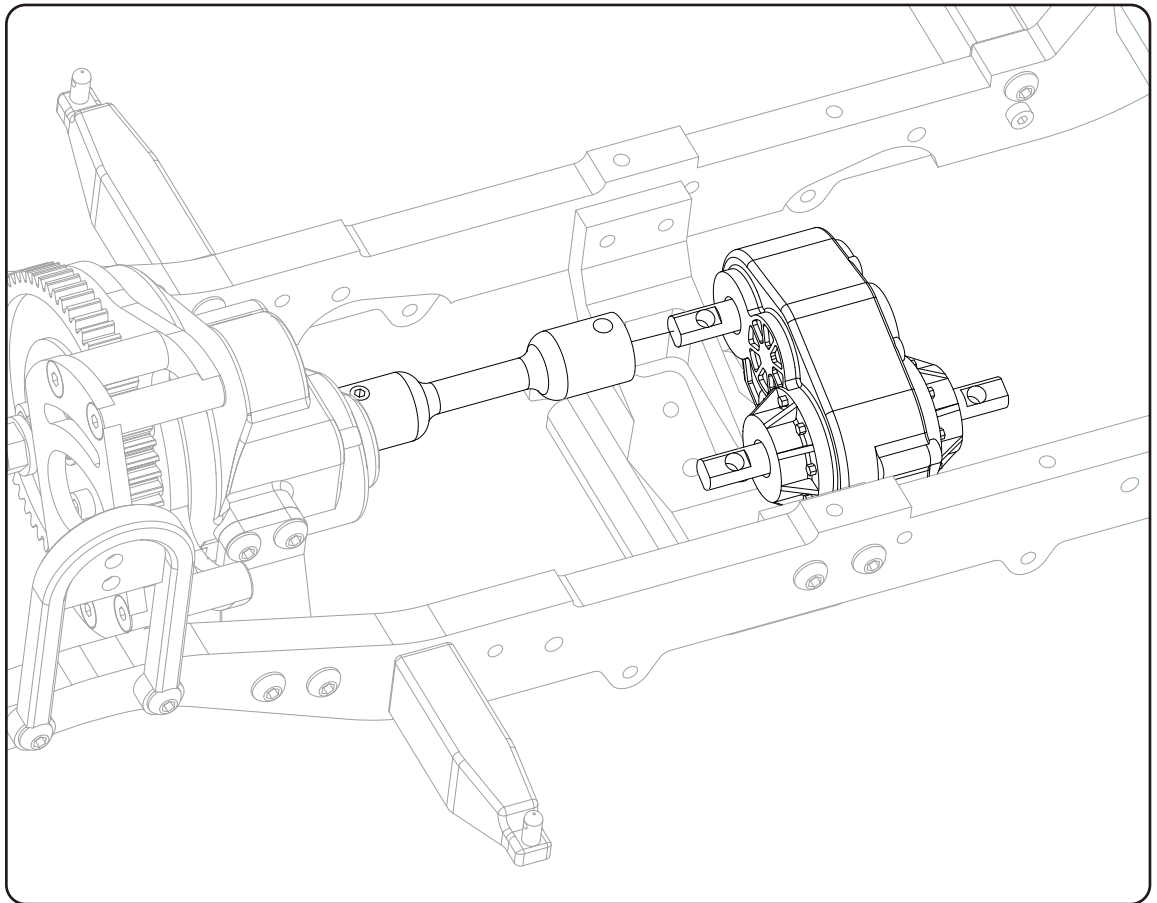


RC4WD
Step 21

 X1
150-0202
M3 Drive Shaft Pin





RC4WD
Step 22

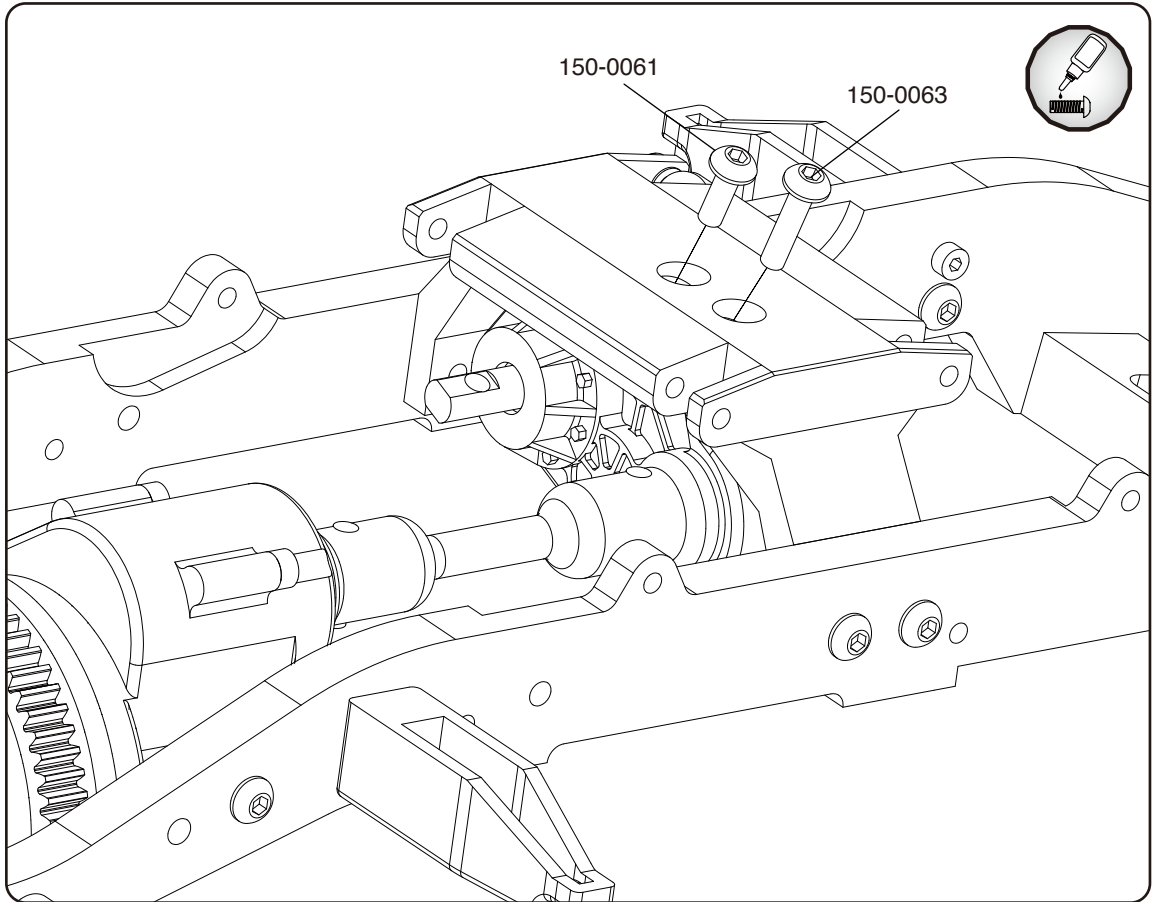


RC4WD

Step 23

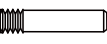
 X1
150-0061
M3 x 6mm BHCS

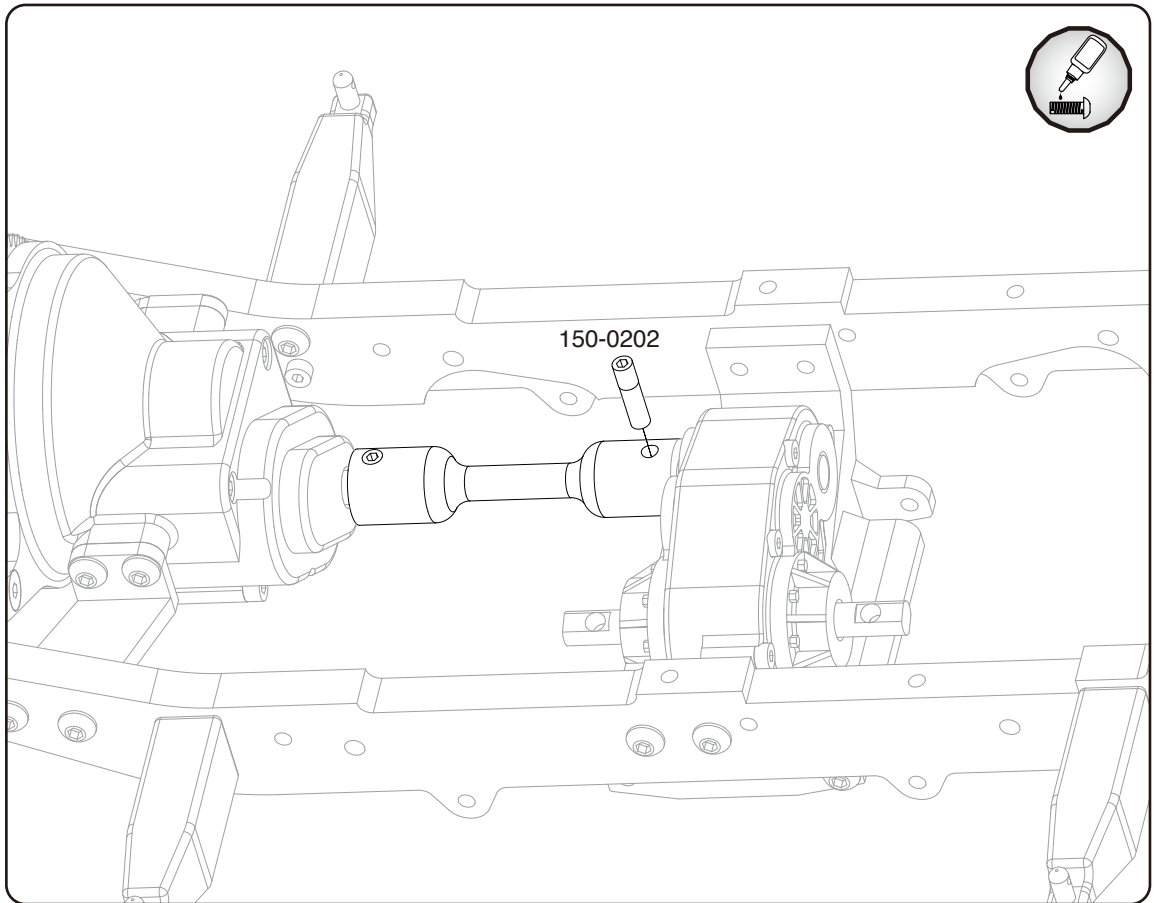
 X1
150-0063
M3 x 10mm BHCS




RC4WD

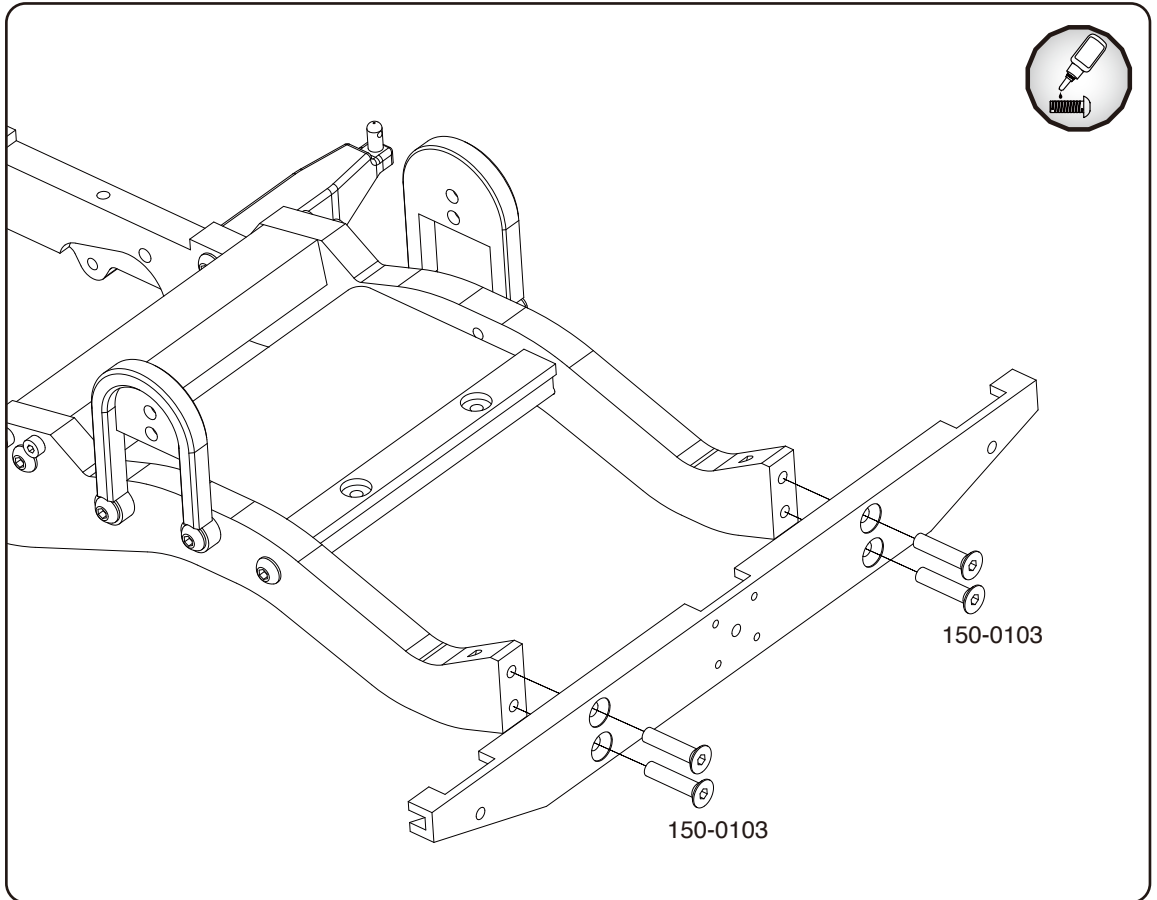
Step 24

 X1
150-0202
M3 Drive Shaft Pin




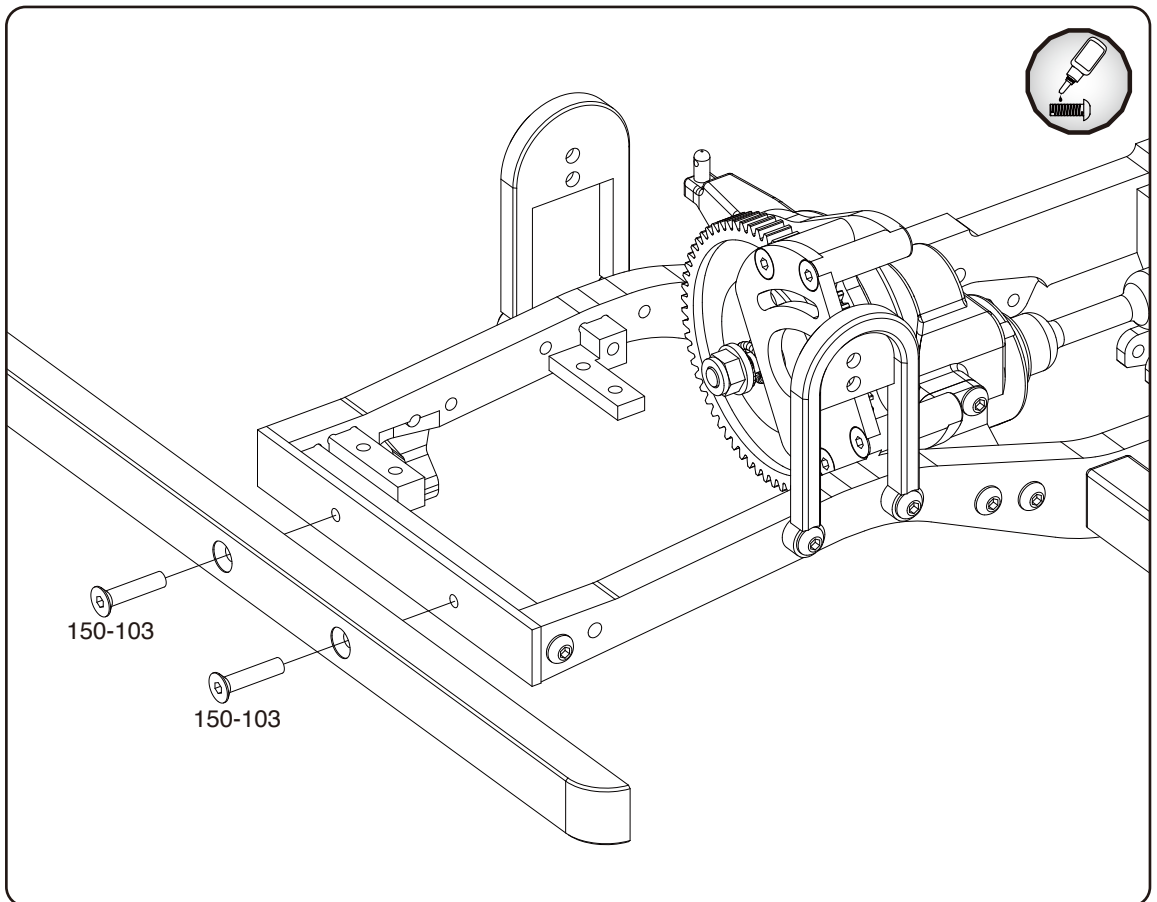
RC4WD
Step 25

 X4
150-0103
M3 x 14mm FHCS





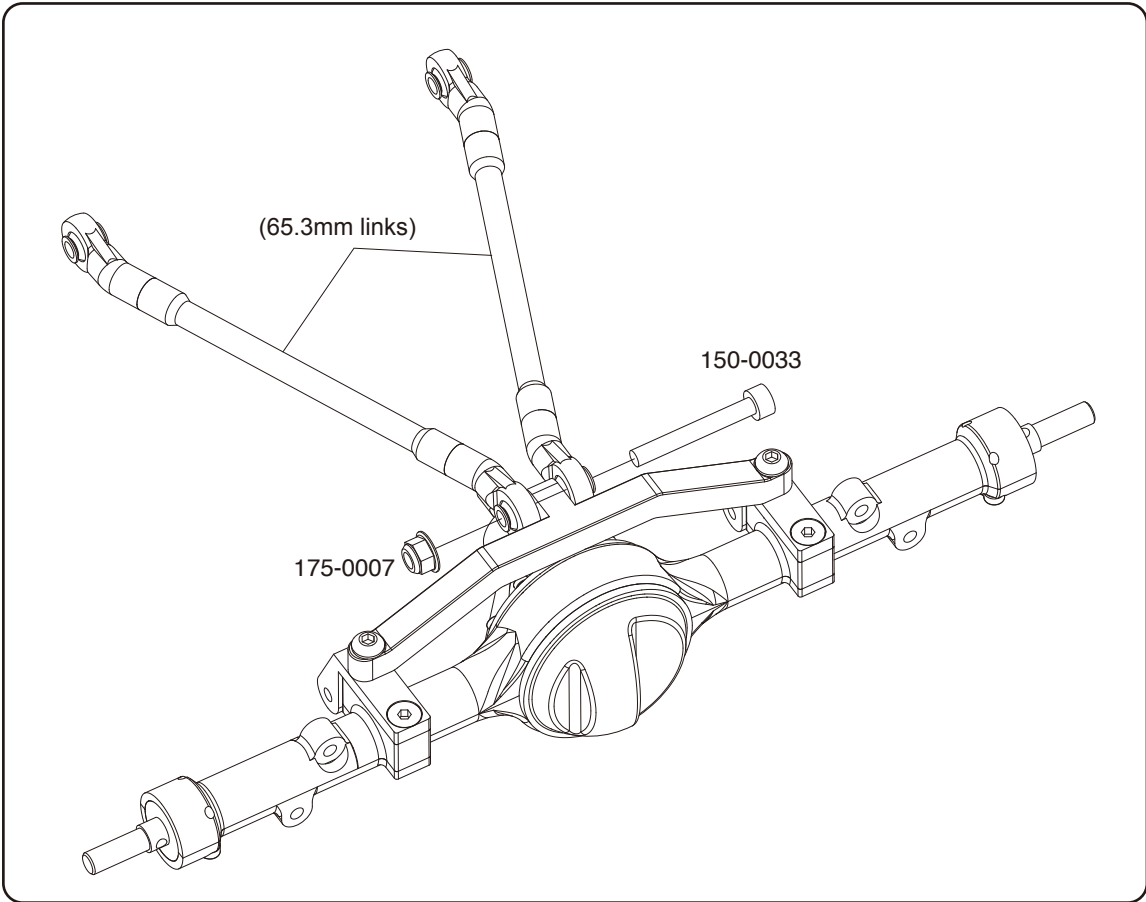
RC4WD
Step 26

 X2
150-0103
M3 x 14mm FHCS




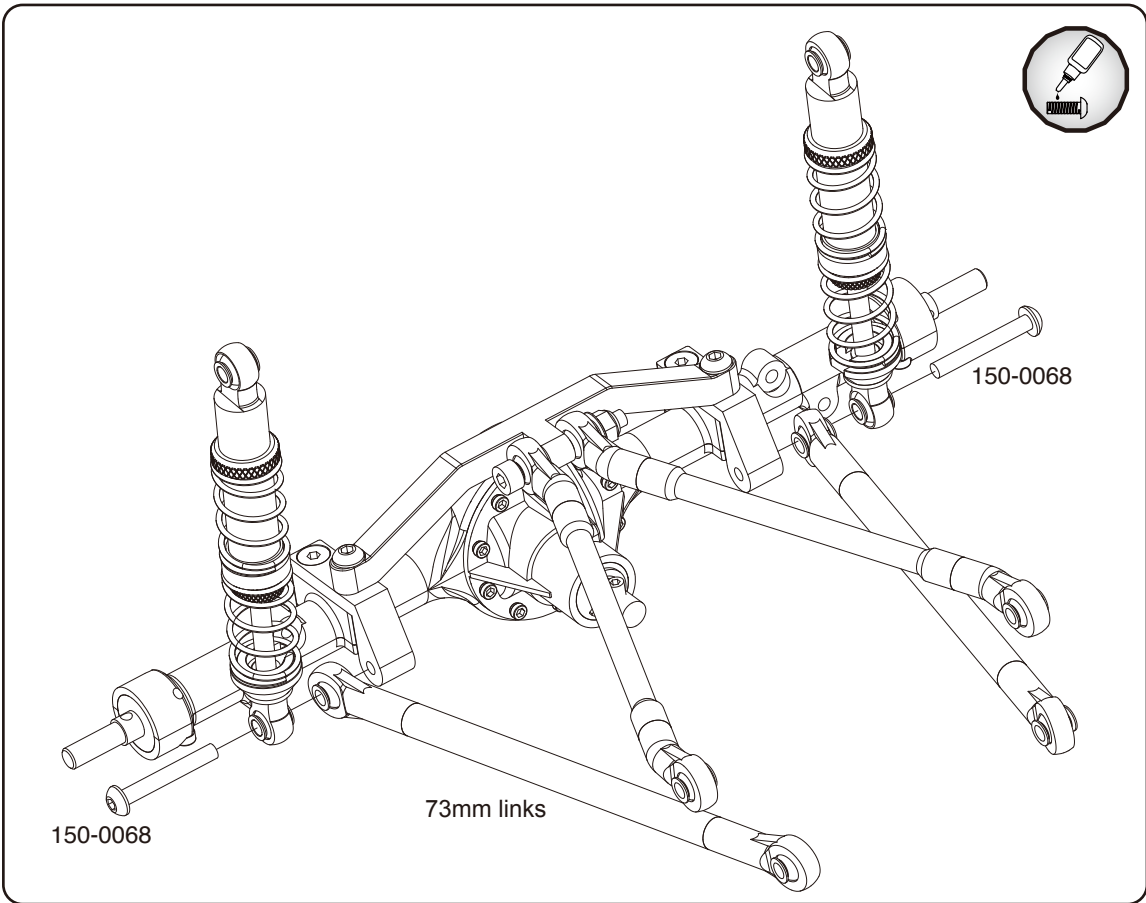
RC4WD
Step 27

-  X1
175-0007
M3 Black Lock Nut
-  X1
150-0033
M3 x 25mm SHCS





RC4WD
Step 28

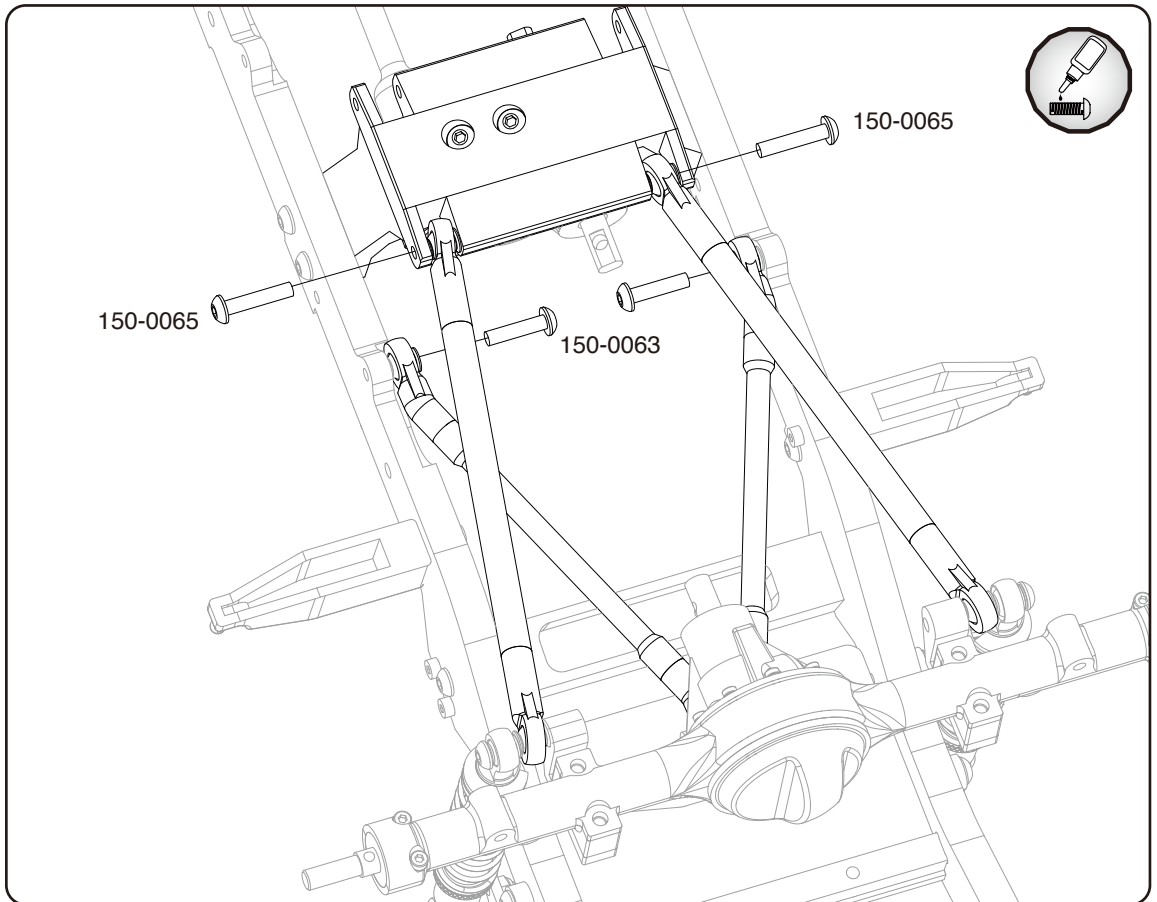
-  X2
150-0068
M3 x 20mm BHCS




RC4WD
Step 29

 X2
150-0063
M3 x 10mm BHCS

 X2
150-0065
M3 x 14mm BHCS

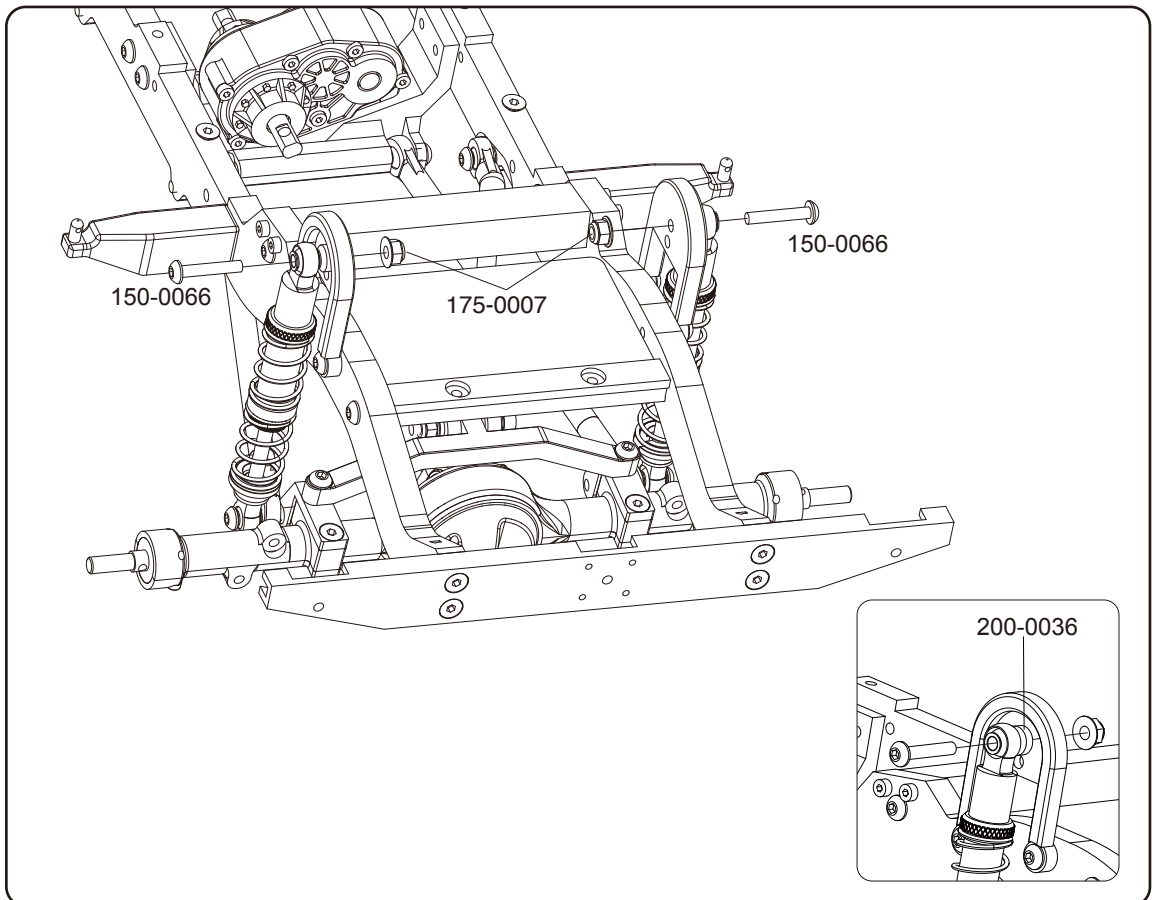


RC4WD
Step 30


 X2
150-0066
M3 x 16mm BHCS

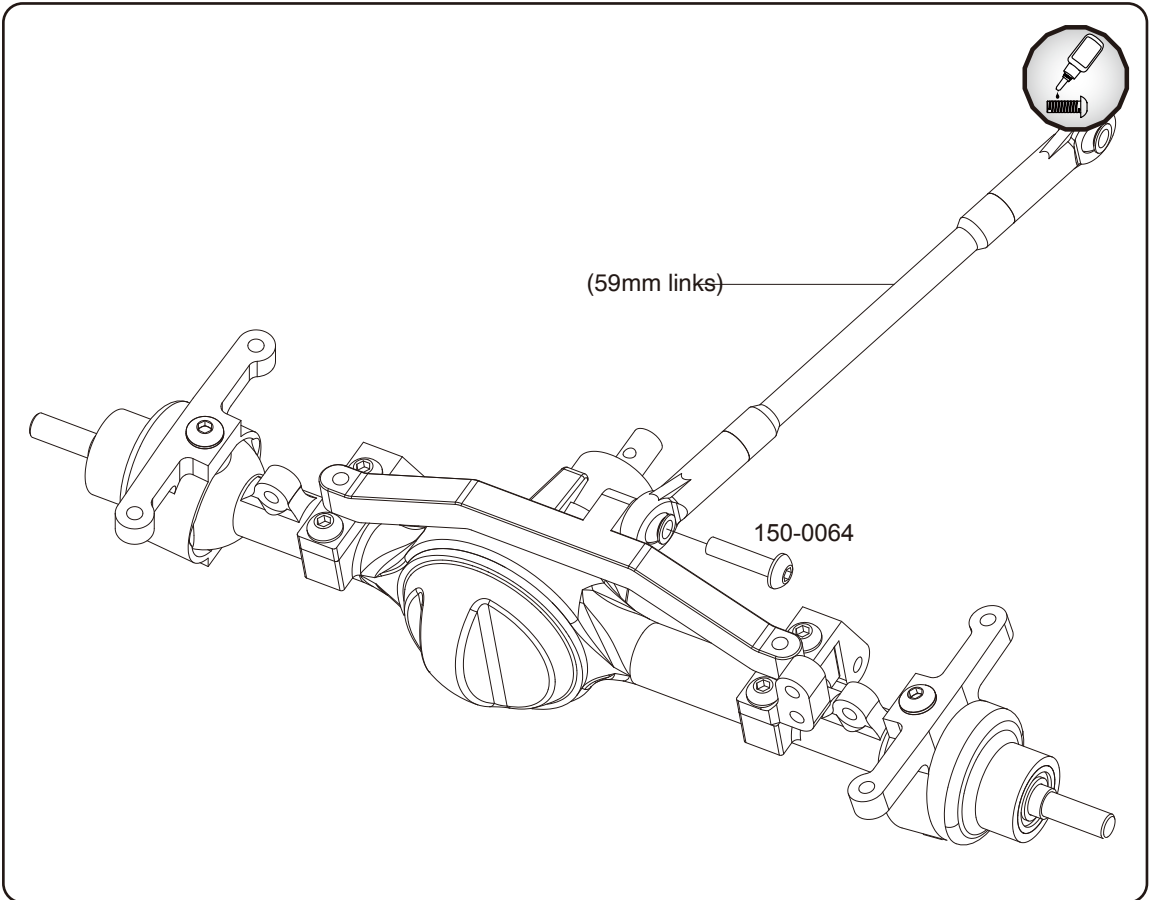
 X2
175-0007
M3 Black Lock Nut

 X2
200-0036
M3 X 3mm Spacer




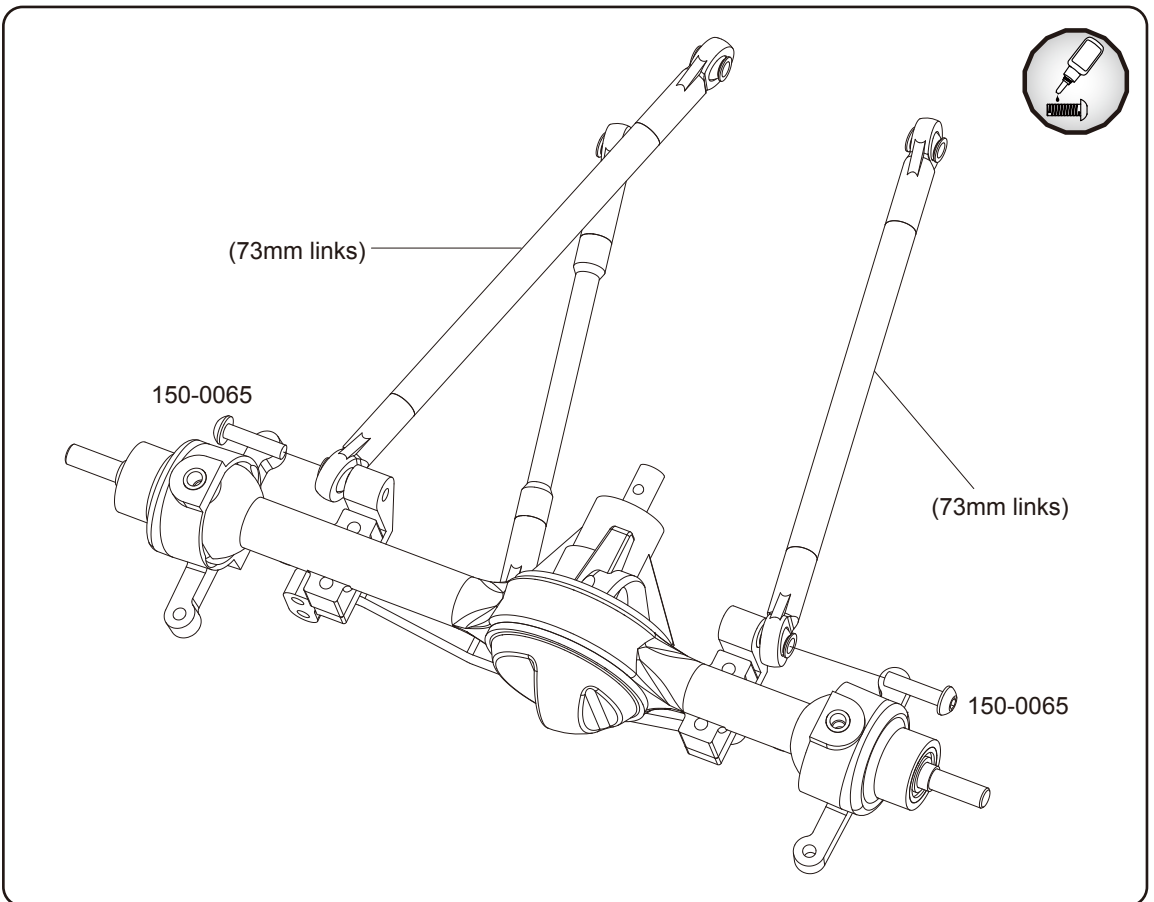
RC4WD
Step 31

 X1
150-0064
M3 x 12mm BHCS





RC4WD
Step 32

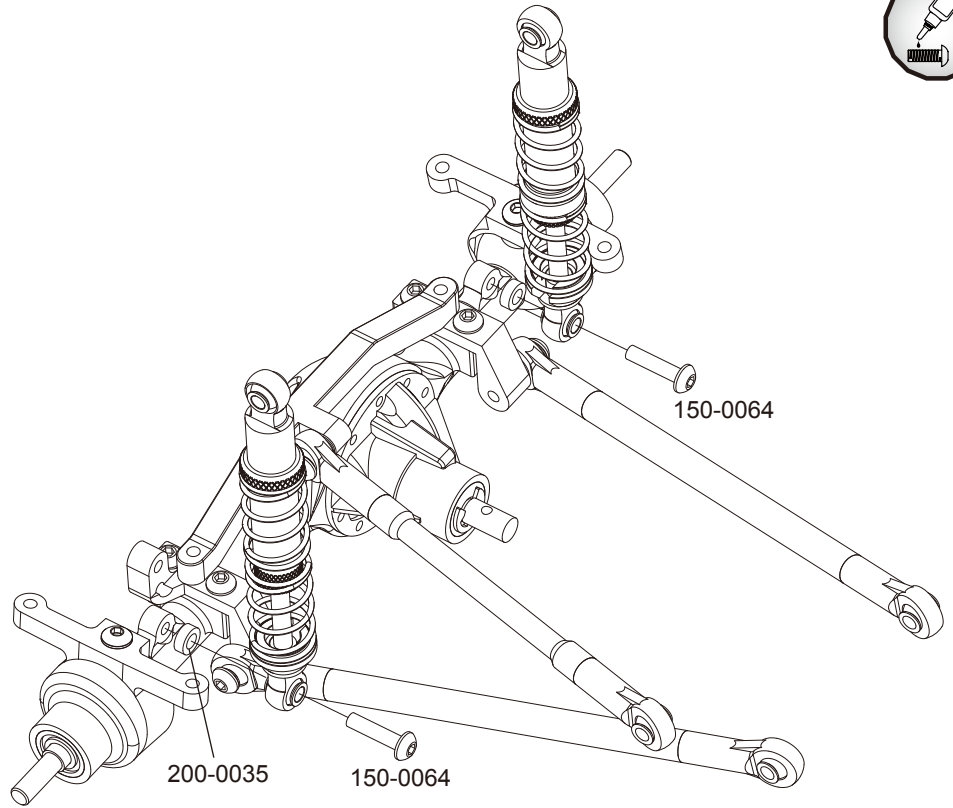
 X2
150-0065
M3 x 14mm BHCS




RC4WD
Step 33

 X2
150-0064
M3 x 12mm BHCS

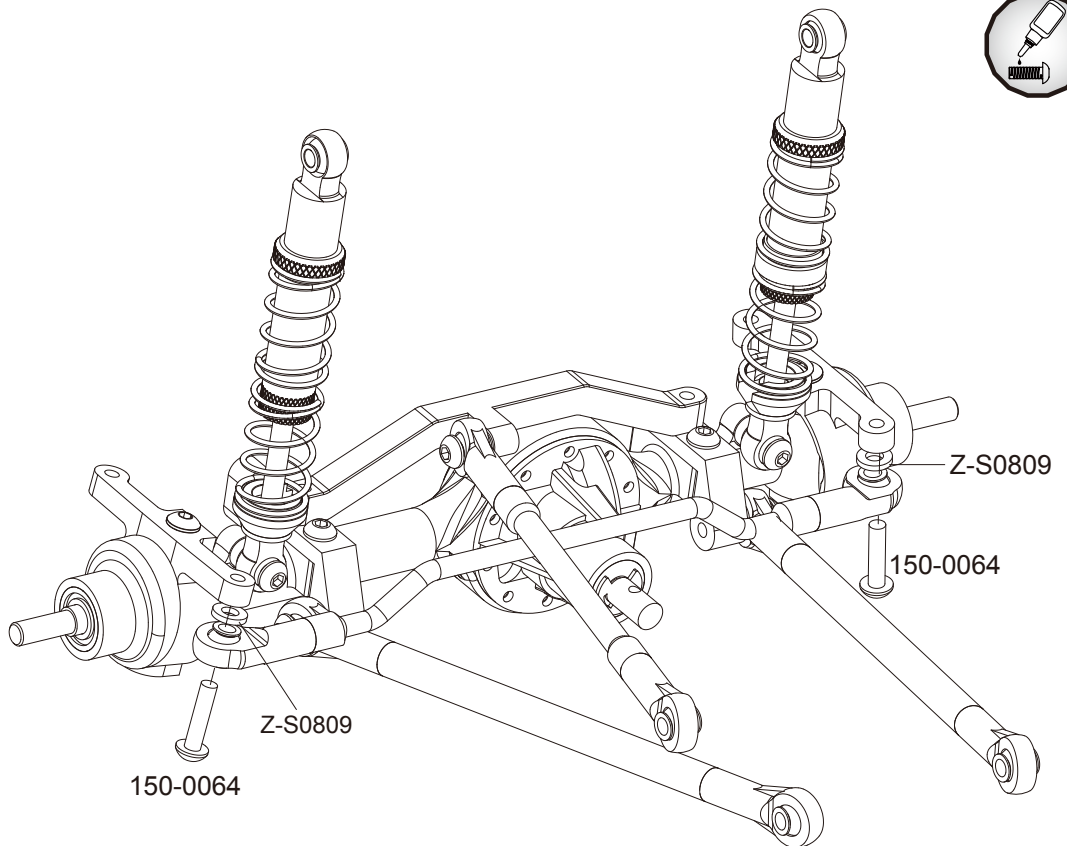
 X2
200-0035
M3 X 2mm Spacer



RC4WD
Step 34


 X2
150-0064
M3 x 12mm BHCS


 X2
Z-S0809
M3 X 1mm Spacer

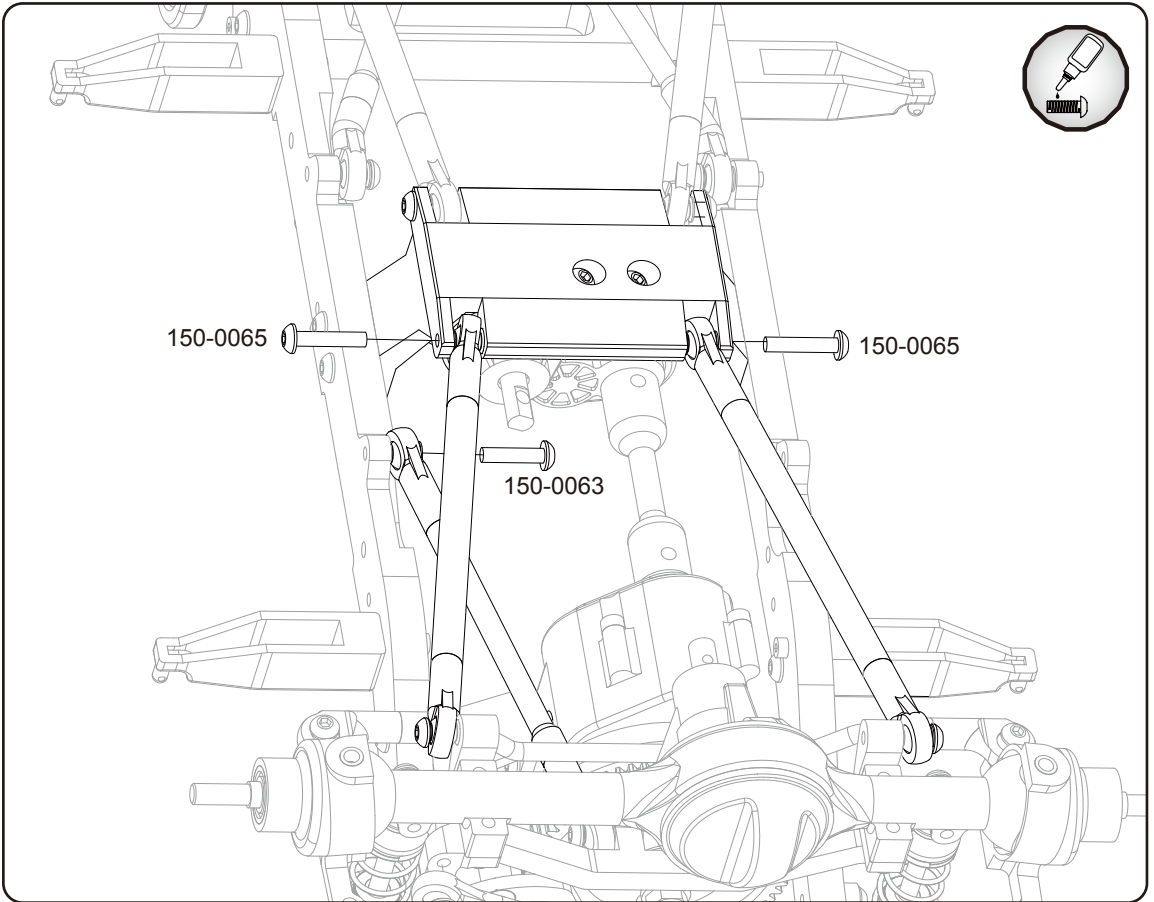


RC4WD

Step 35


 X1
150-0063
M3 x 10mm BHCS

 X2
150-0065
M3 x 14mm BHCS



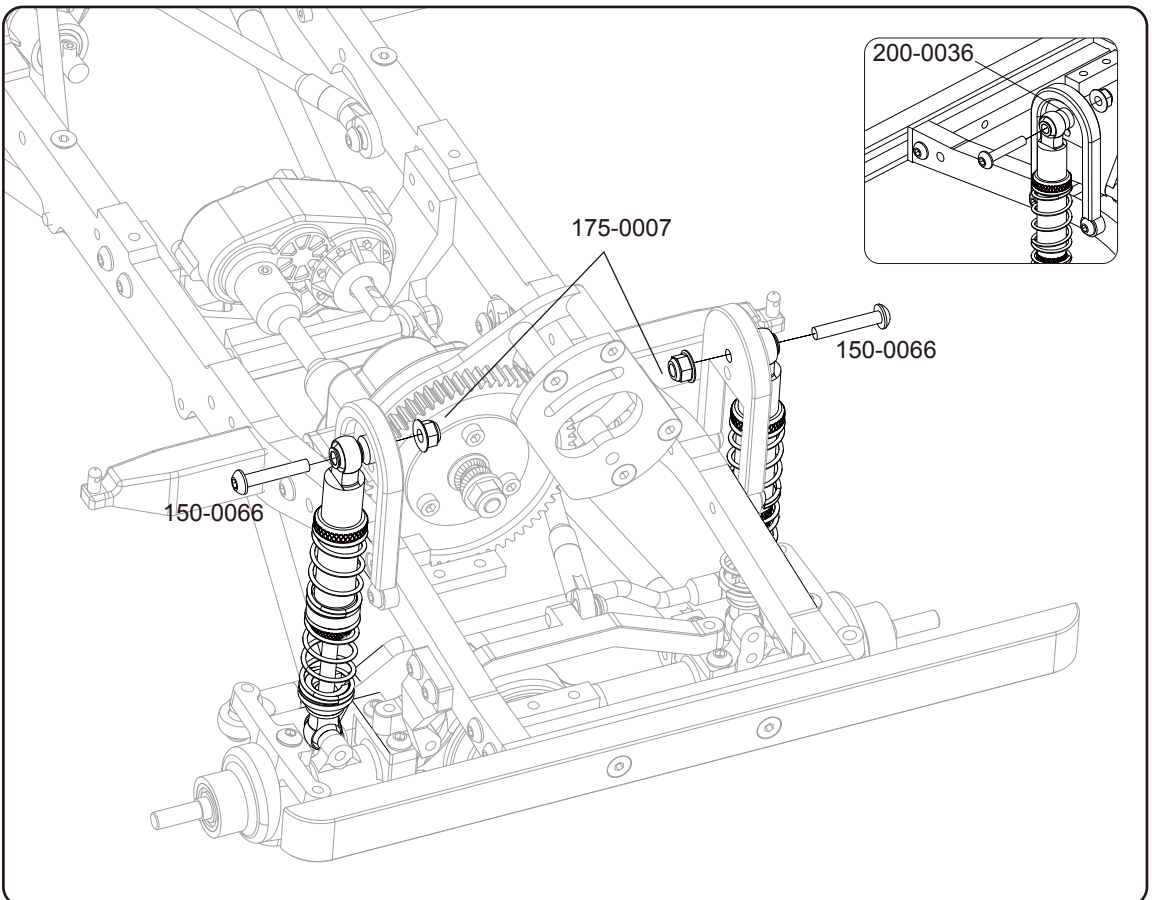
RC4WD

Step 36

 X2
150-0066
M3 x 16mm BHCS


 X2
175-0007
M3 Black Lock Nut

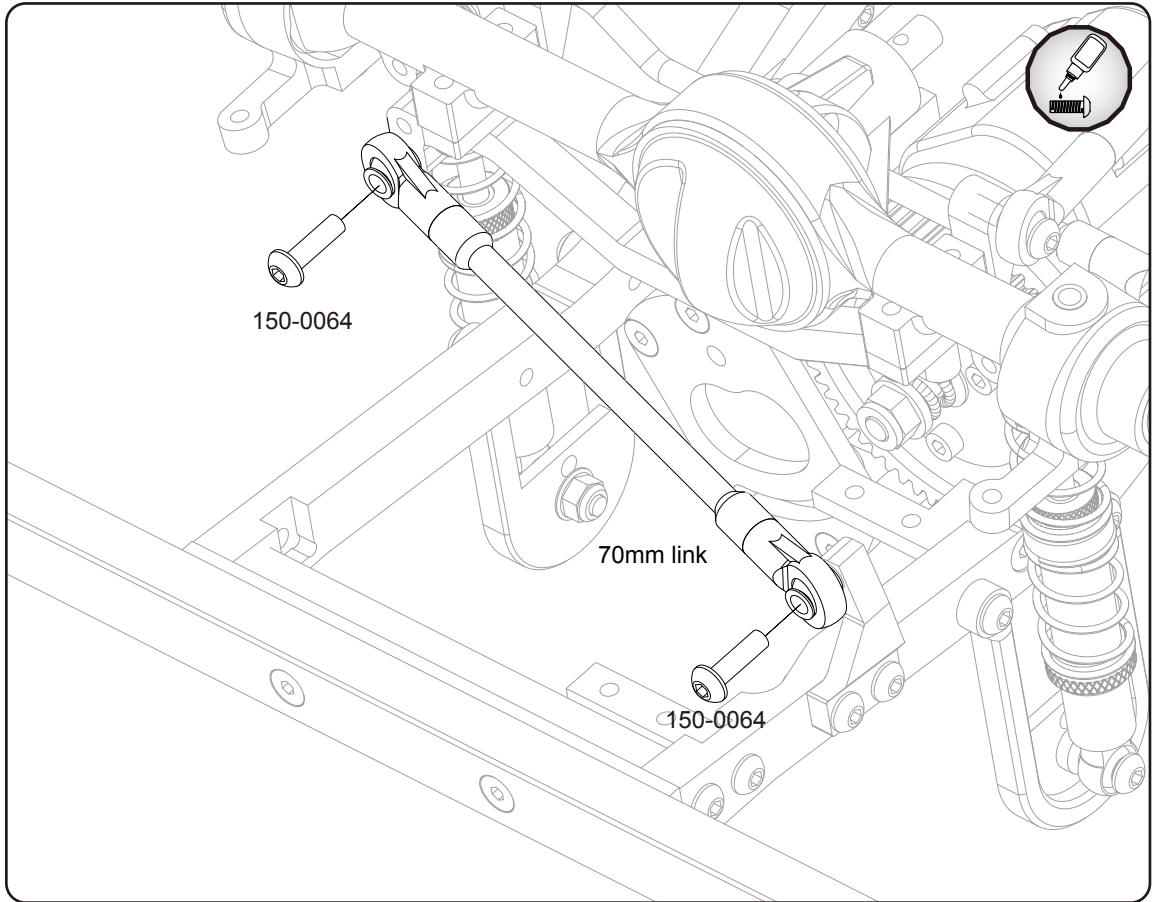
 X2
200-0036
M3 X 3mm Spacer



RC4WD

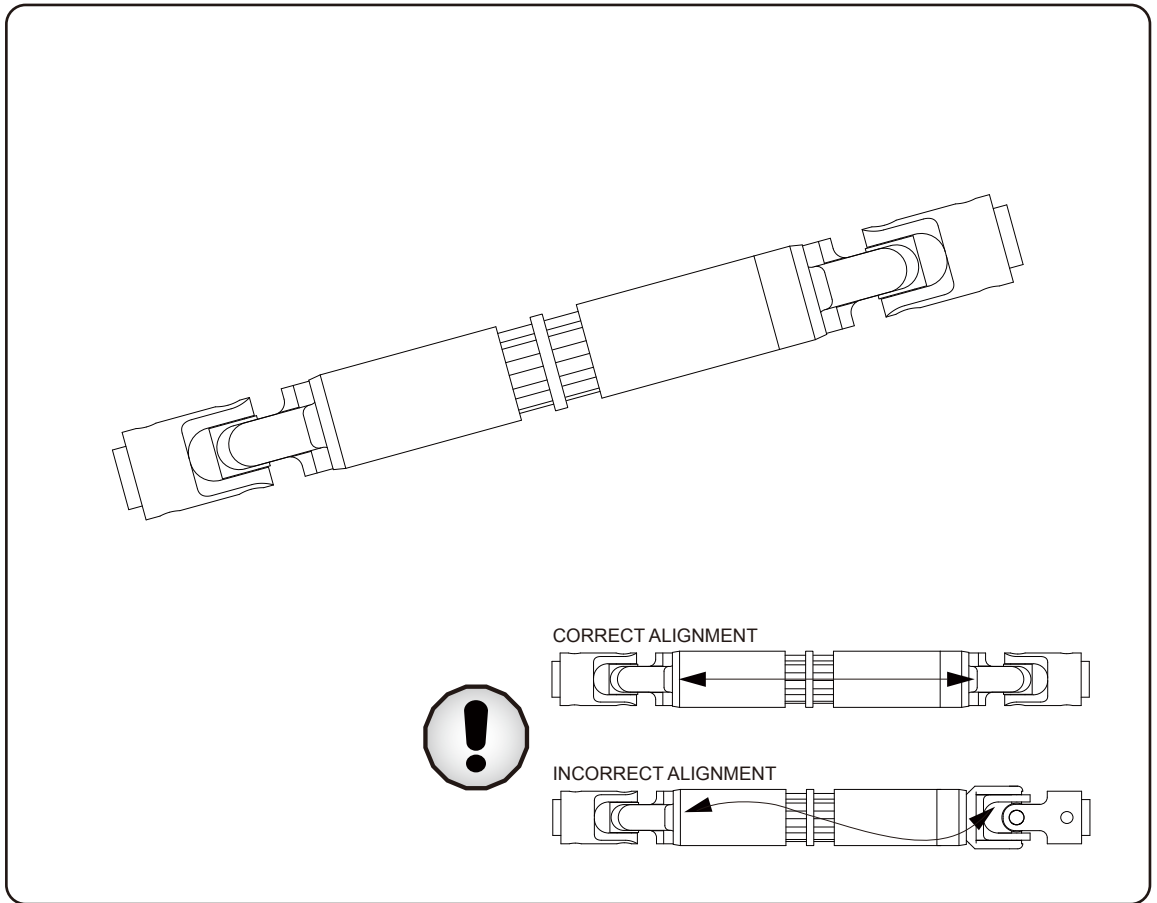
Step 37

 X2
150-0064
M3 x 12mm BHCS



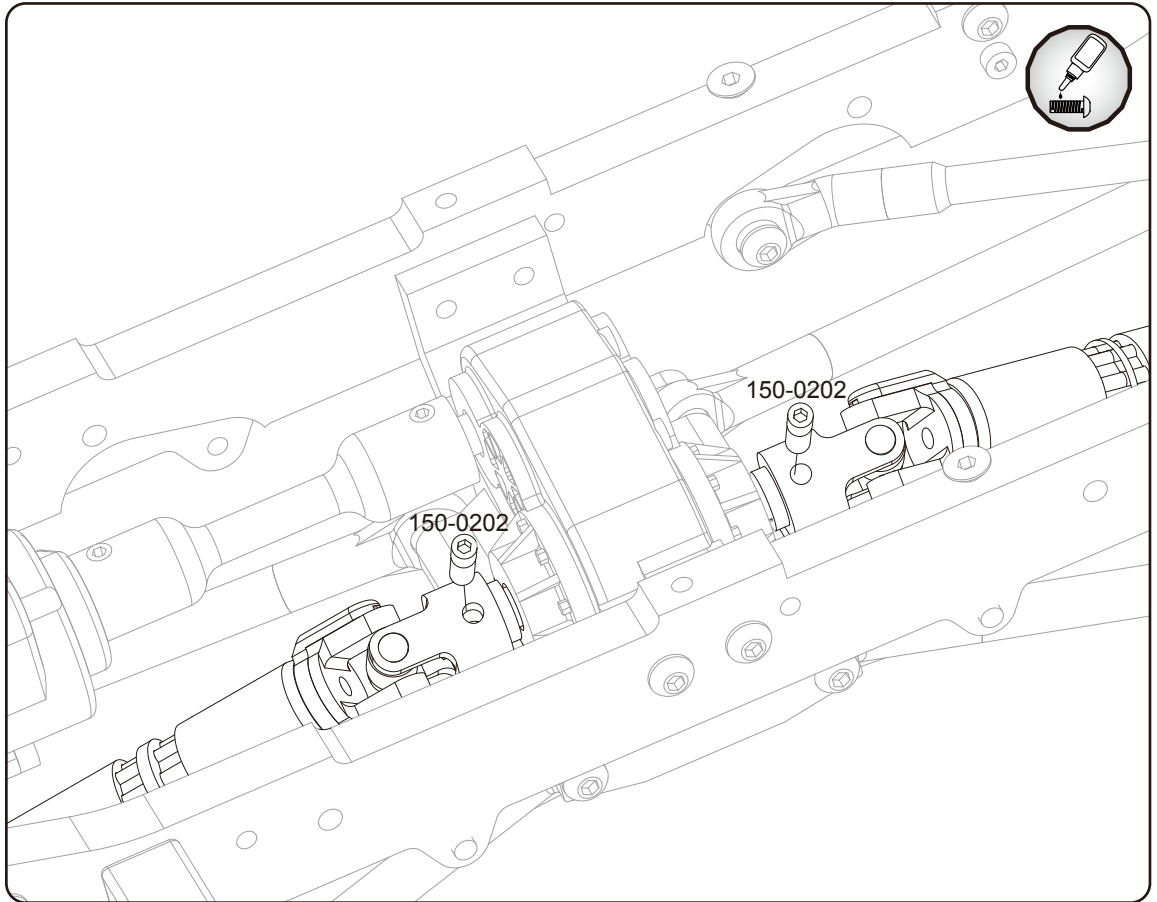
RC4WD

Step 38

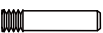


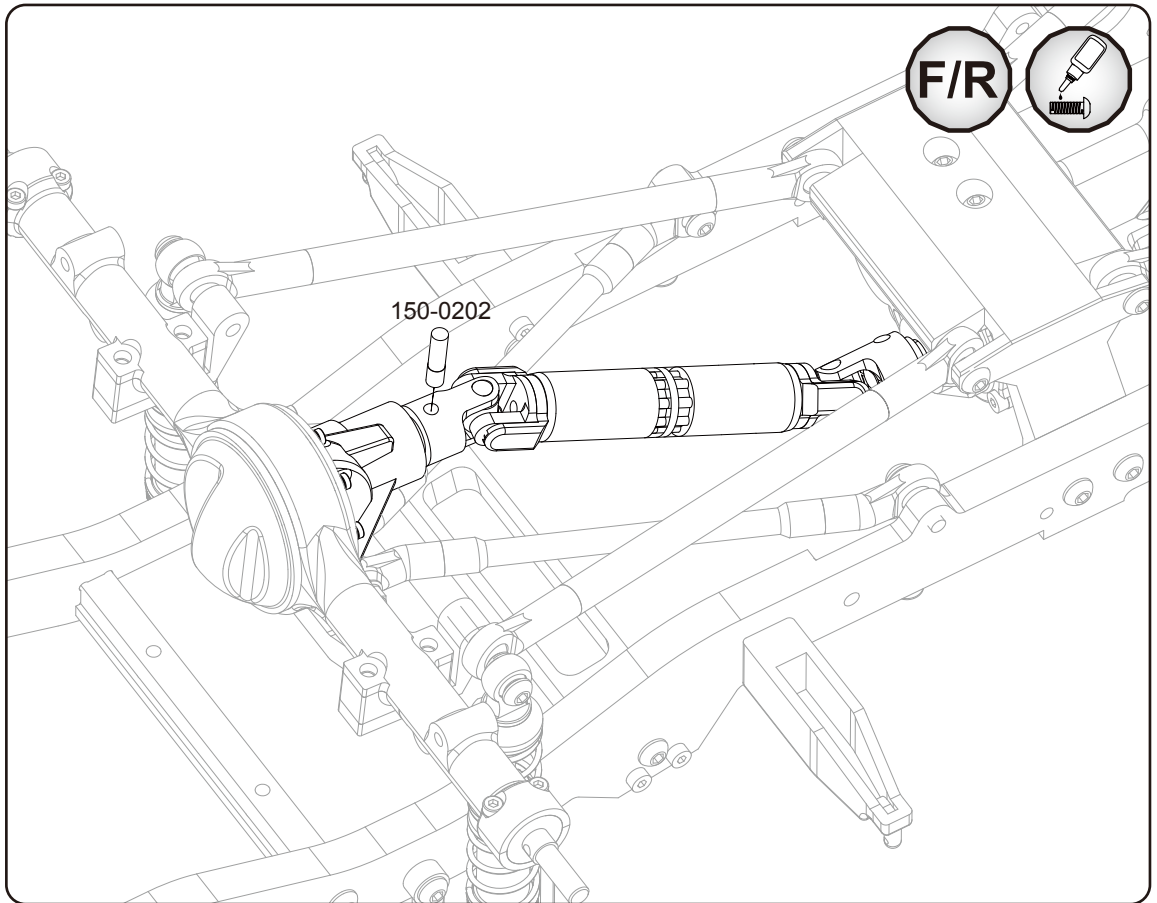
RC4WD
Step 39

 X2
150-0202
M3 Drive Shaft Pin




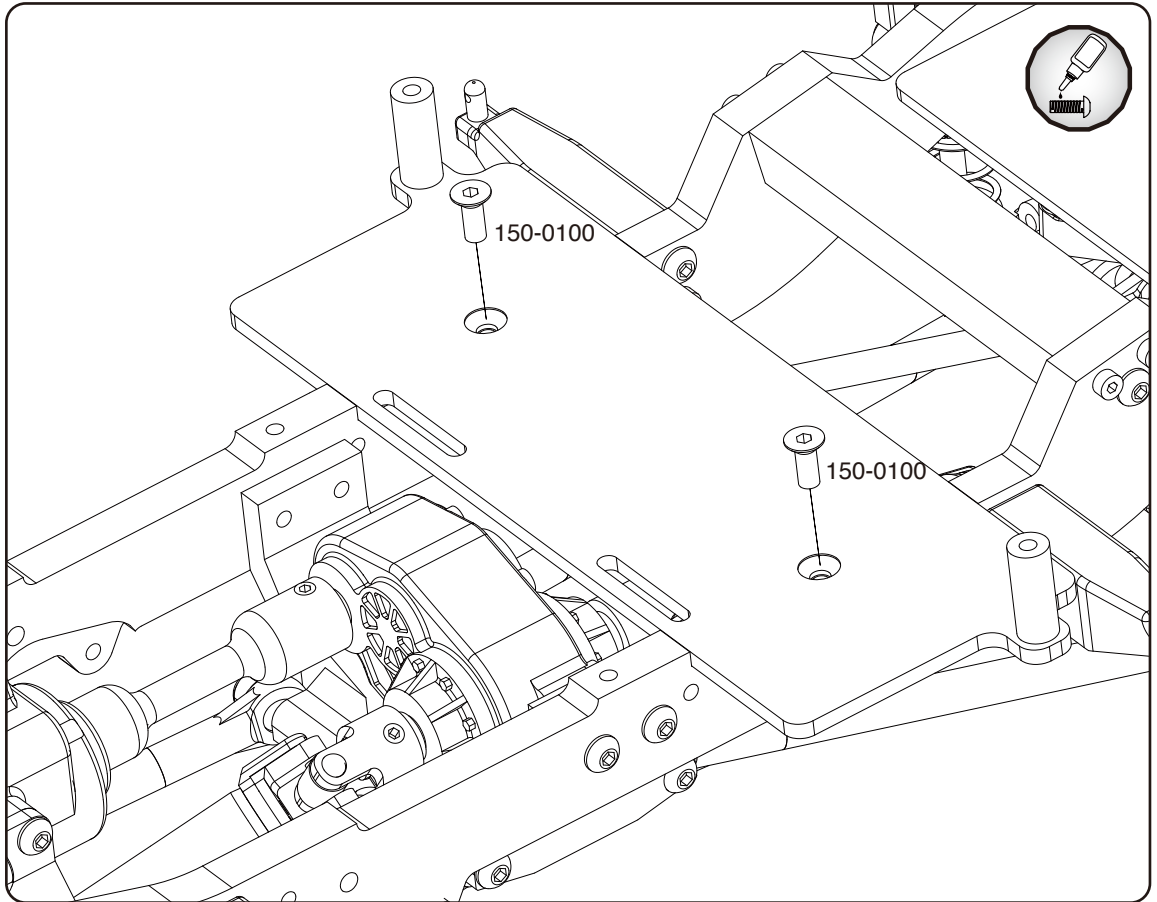
RC4WD
Step 40

 X2
150-0202
M3 Drive Shaft Pin




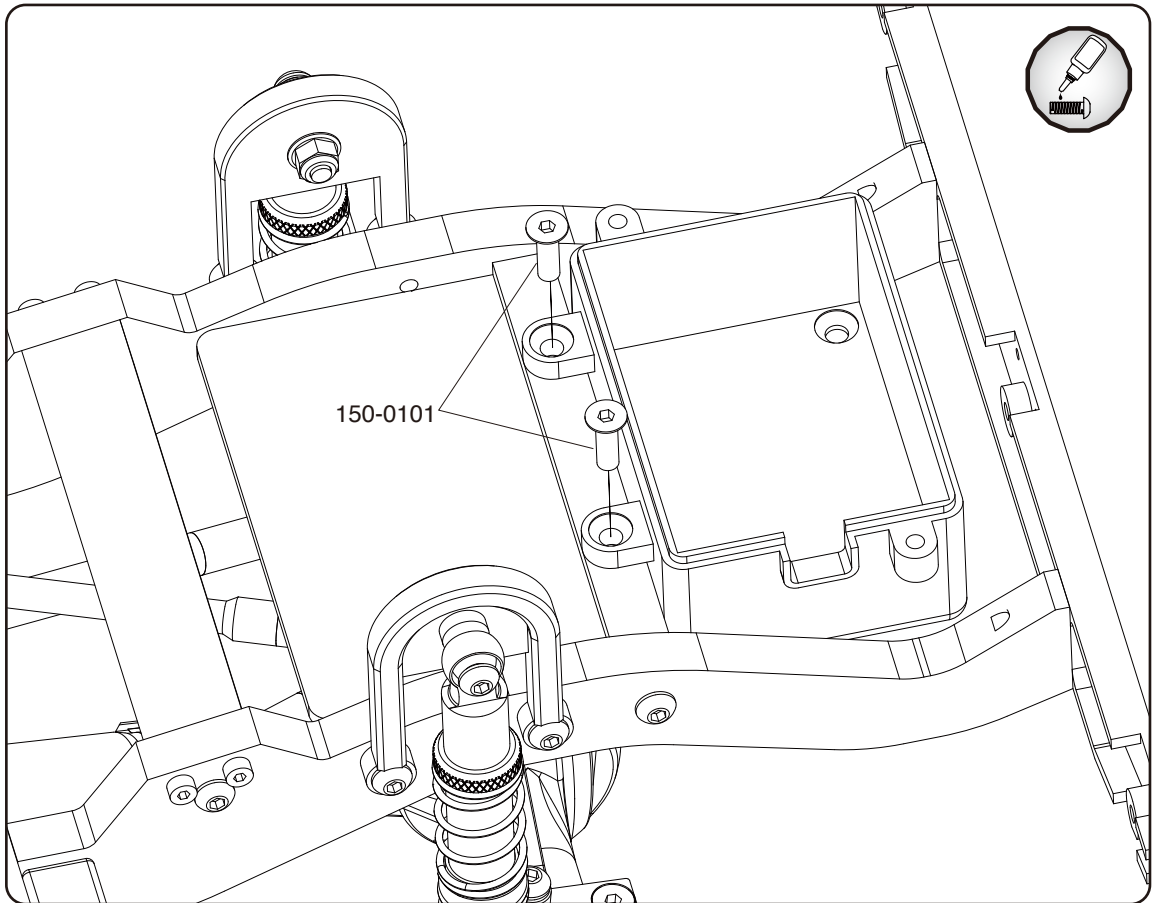
RC4WD
Step 41

 X2
150-0100
M3 x 8mm FHCS




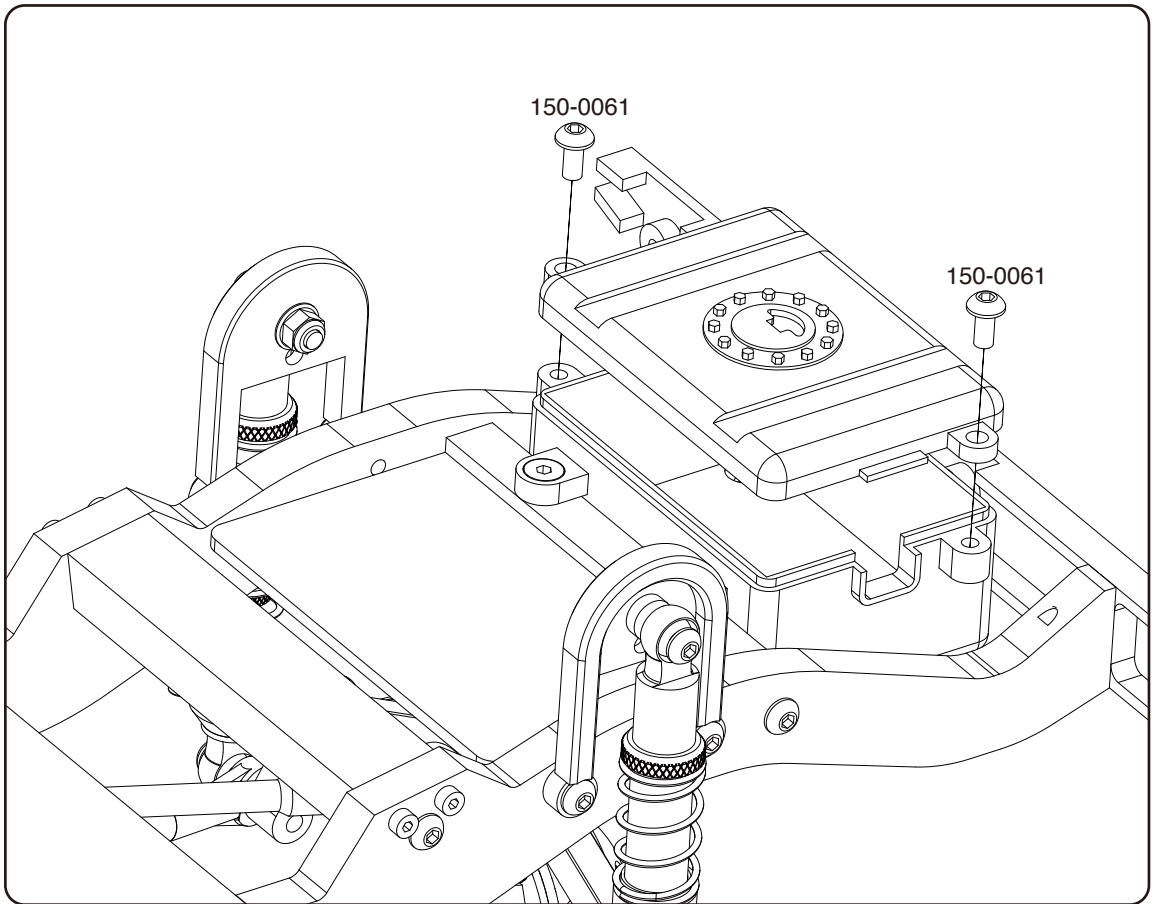
RC4WD
Step 42

 X2
150-0101
M3 x 10mm FHCS



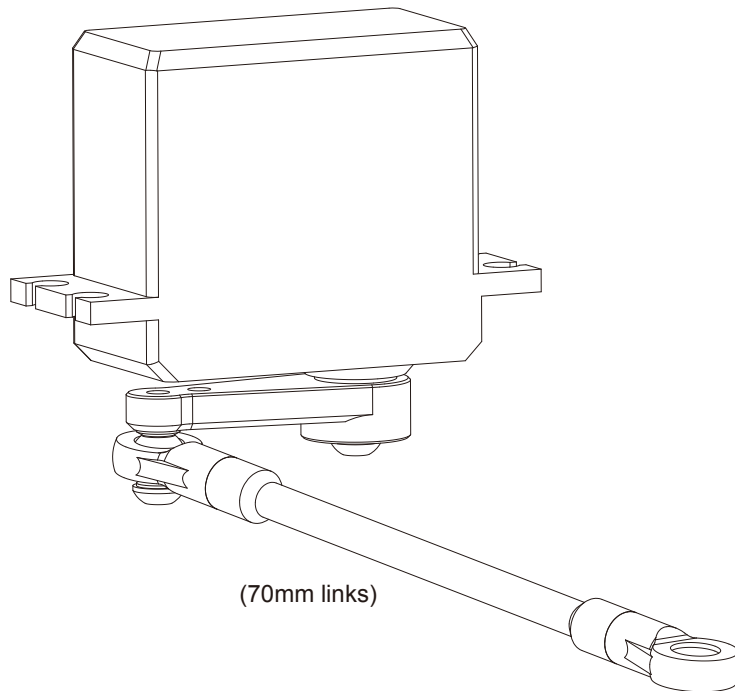
RC4WD
Step 43

 X2
150-0061
M3 x 6mm BHCS




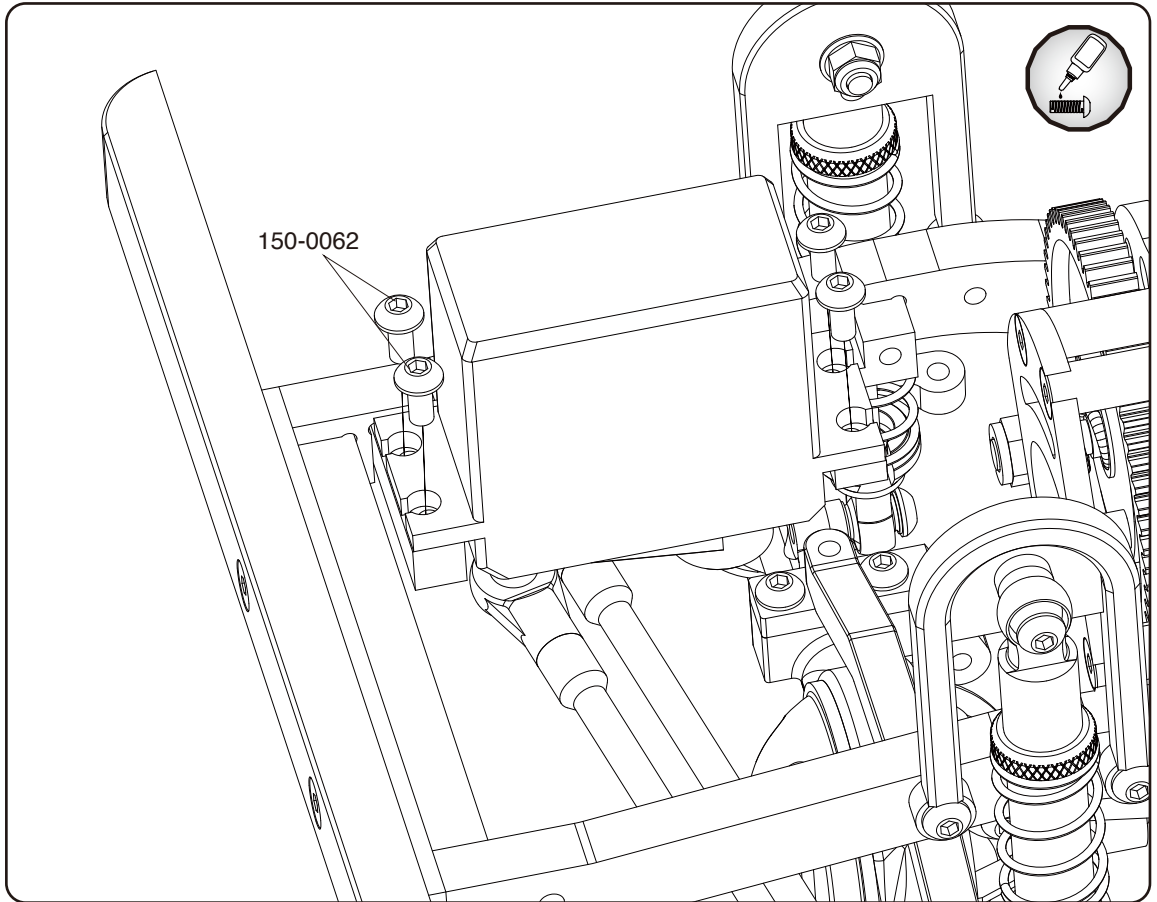
RC4WD
Step 44

Note: Servo and servo horn are not included in this kit





RC4WD
Step 45

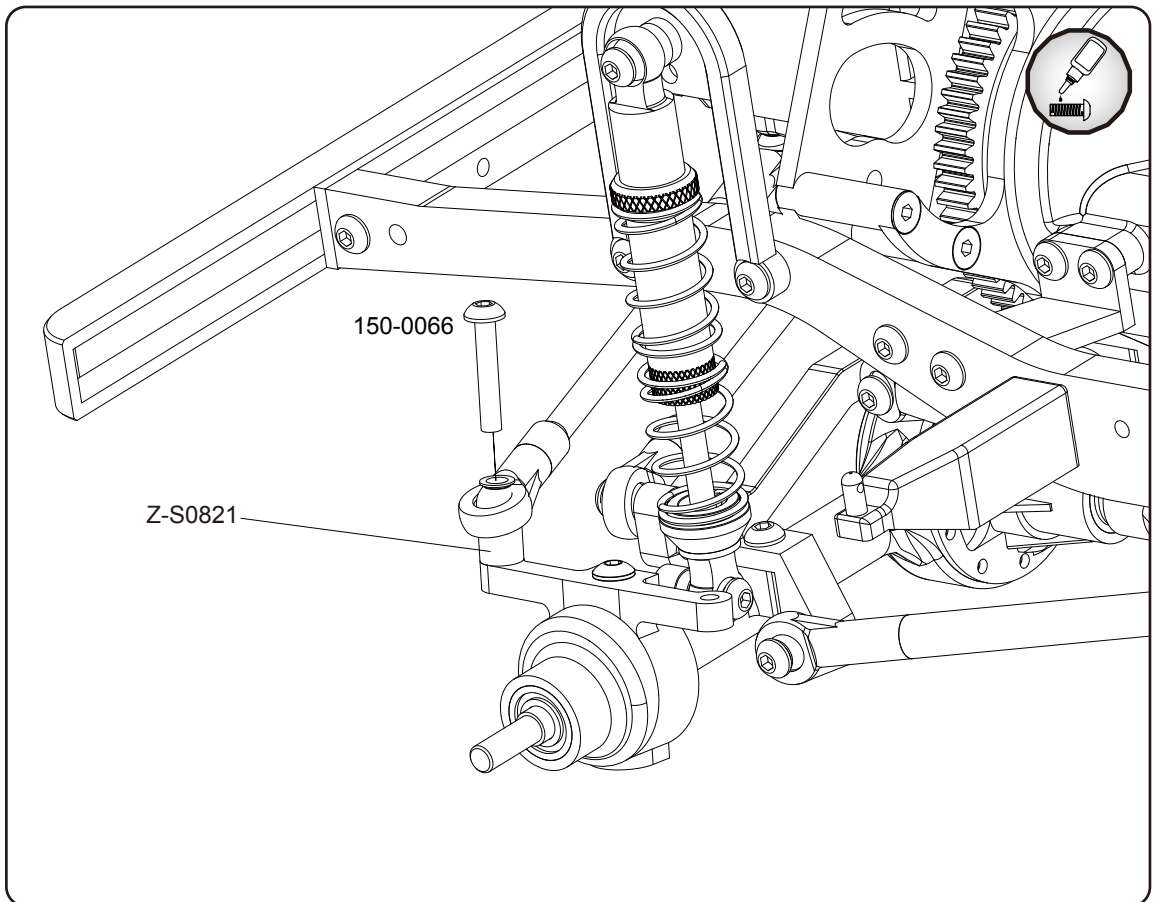
 X4
150-0062
M3 x 8mm BHCS



RC4WD
Step 46

 X1
150-0066
M3 x 16mm BHCS

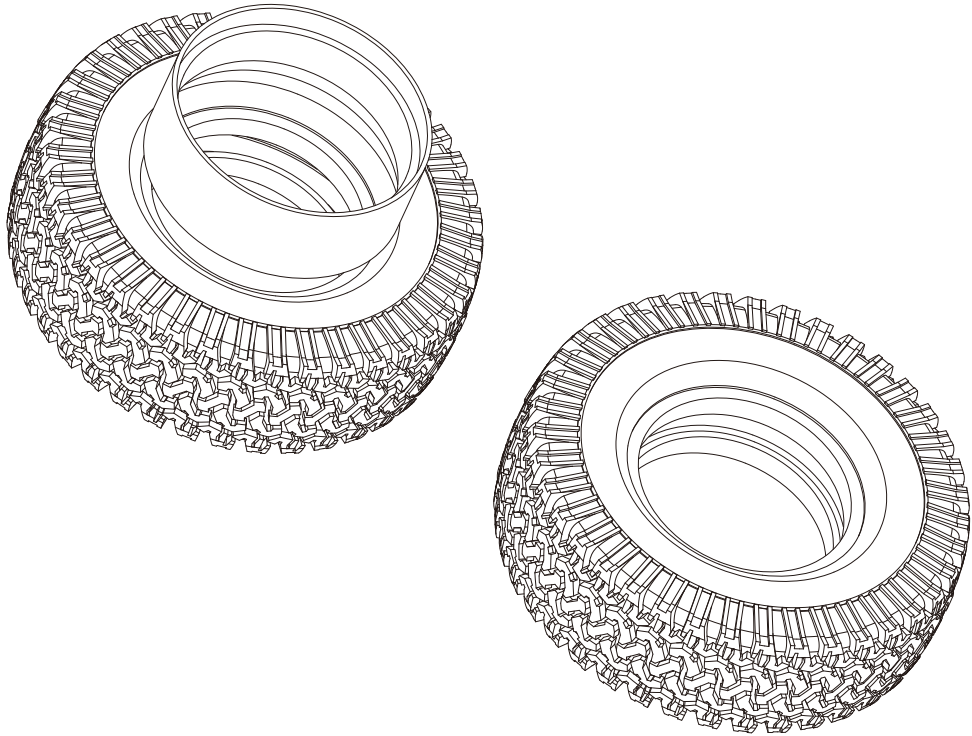
 X1
Z-S0821
M3 X 5mm Spacer



RC4WD
Step 47

Insert the ring inside the tire

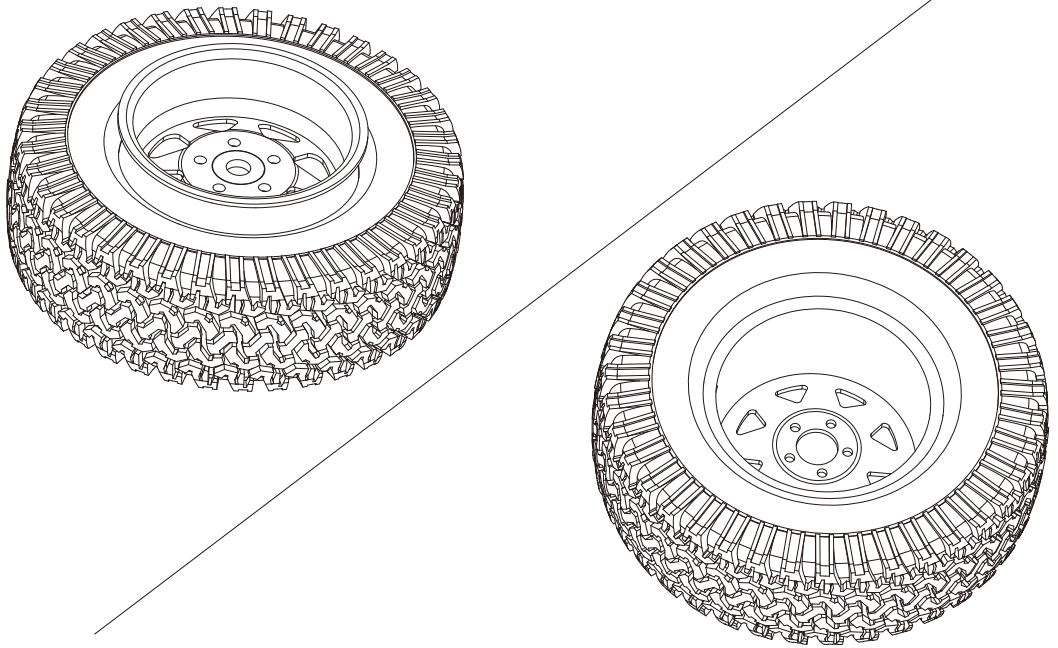
x4



RC4WD
Step 48

Place the rear wheel half inside the ring

x4



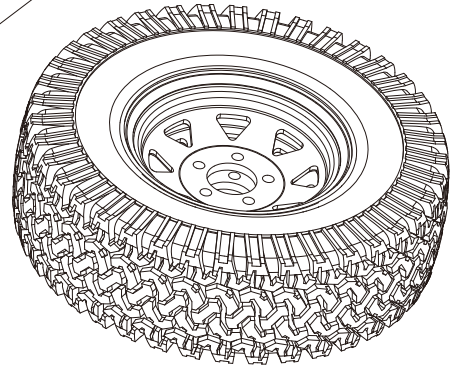
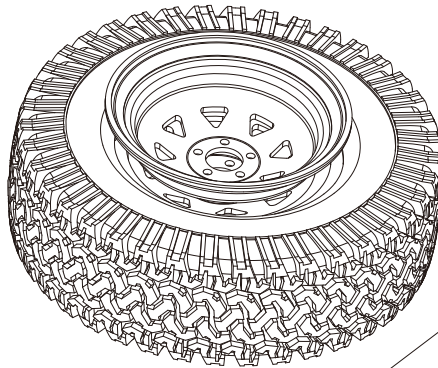
Ensure that the tire bead is evenly captured in the wheel rim
The tire may need to be pulled out a little to make it sit properly.



RC4WD
Step 49

Place the front wheel half inside the ring.
Ensure that the wheel design is aligned front and rear.

x4

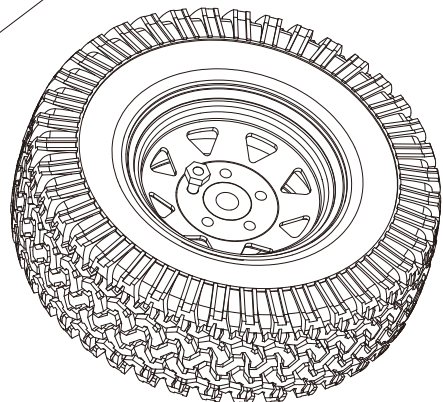
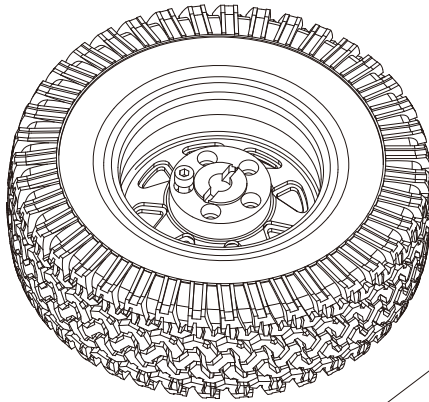


Ensure that the tire bead is evenly captured in the wheel rim.
The tire may need to be pulled out a little to make it sit properly.

RC4WD
Step 50

Place the wheel hub on the rear of the wheel and insert a long bolt
(M2.5 x 12mm) through the wheel

x4



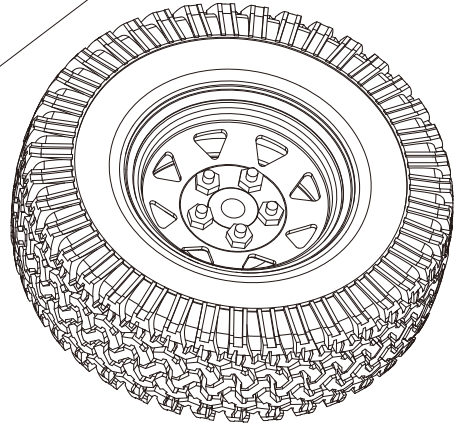
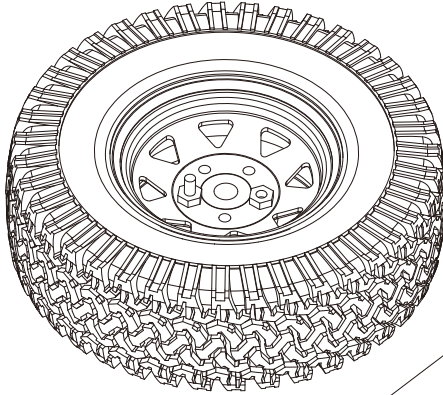
Install a nut and tighten onto the long bolt. Make sure the
tirebead is evenly captured while tightening the nut



RC4WD
Step 51

Install the second bolt (M2.5 x 8mm) and nut.
Make sure the tire bead is evenly captured while tightening the nut.

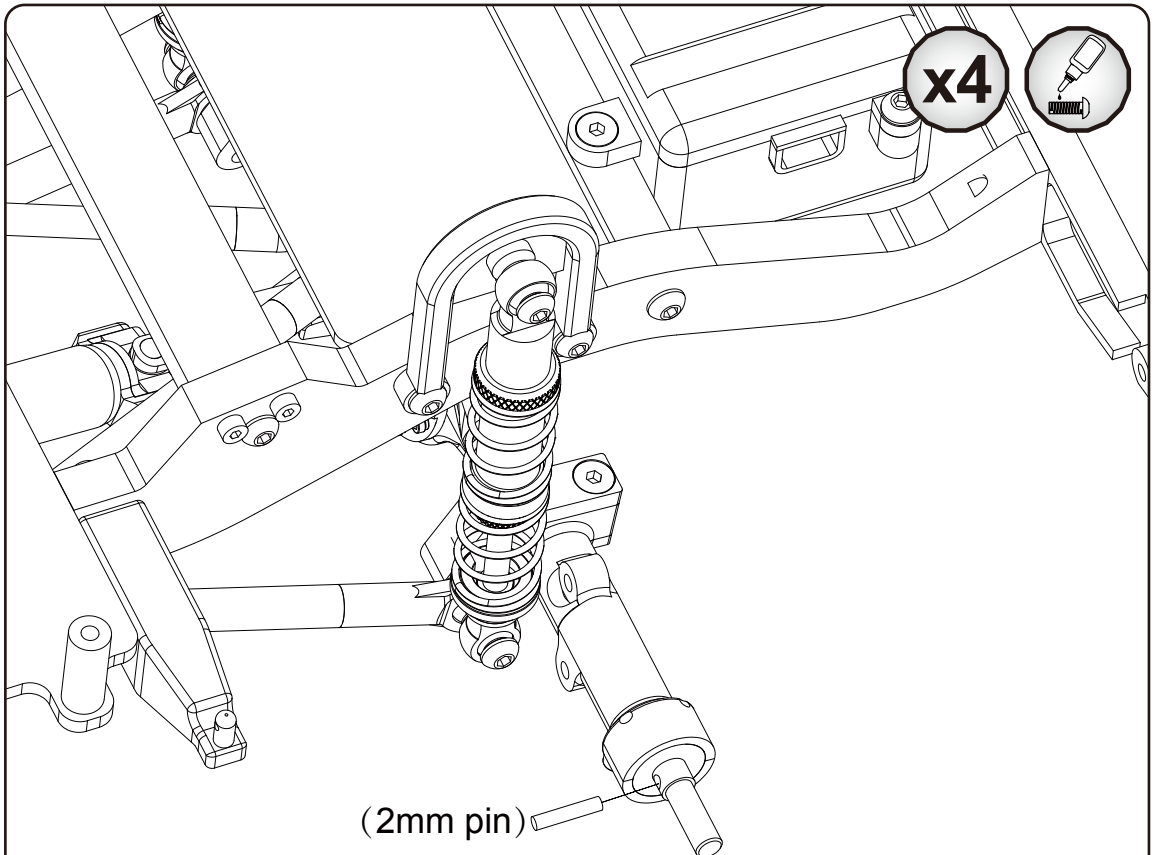
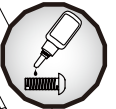
x4



Fit all of the remaining bolts and nuts.
Swap the long bolt that was fitted for the shorter bolt

RC4WD
Step 52

x4

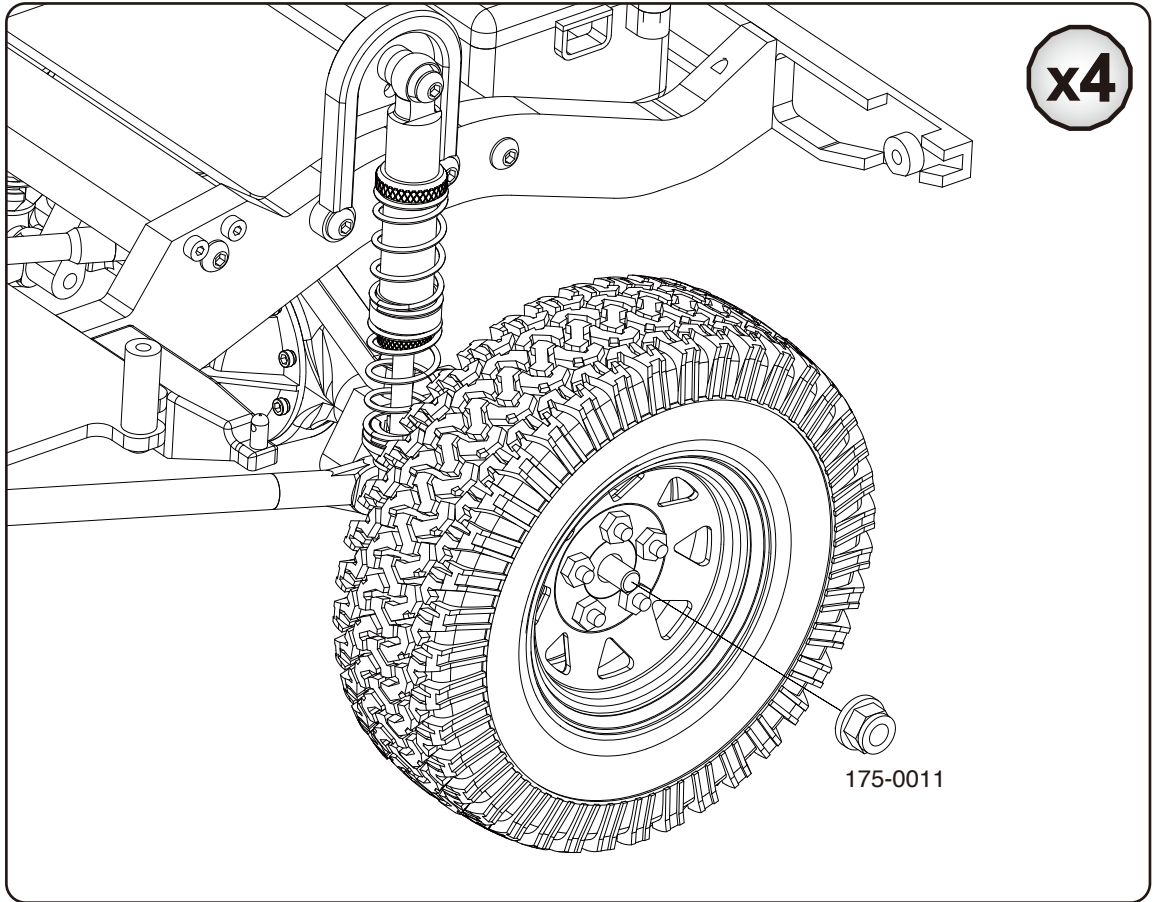


(2mm pin)



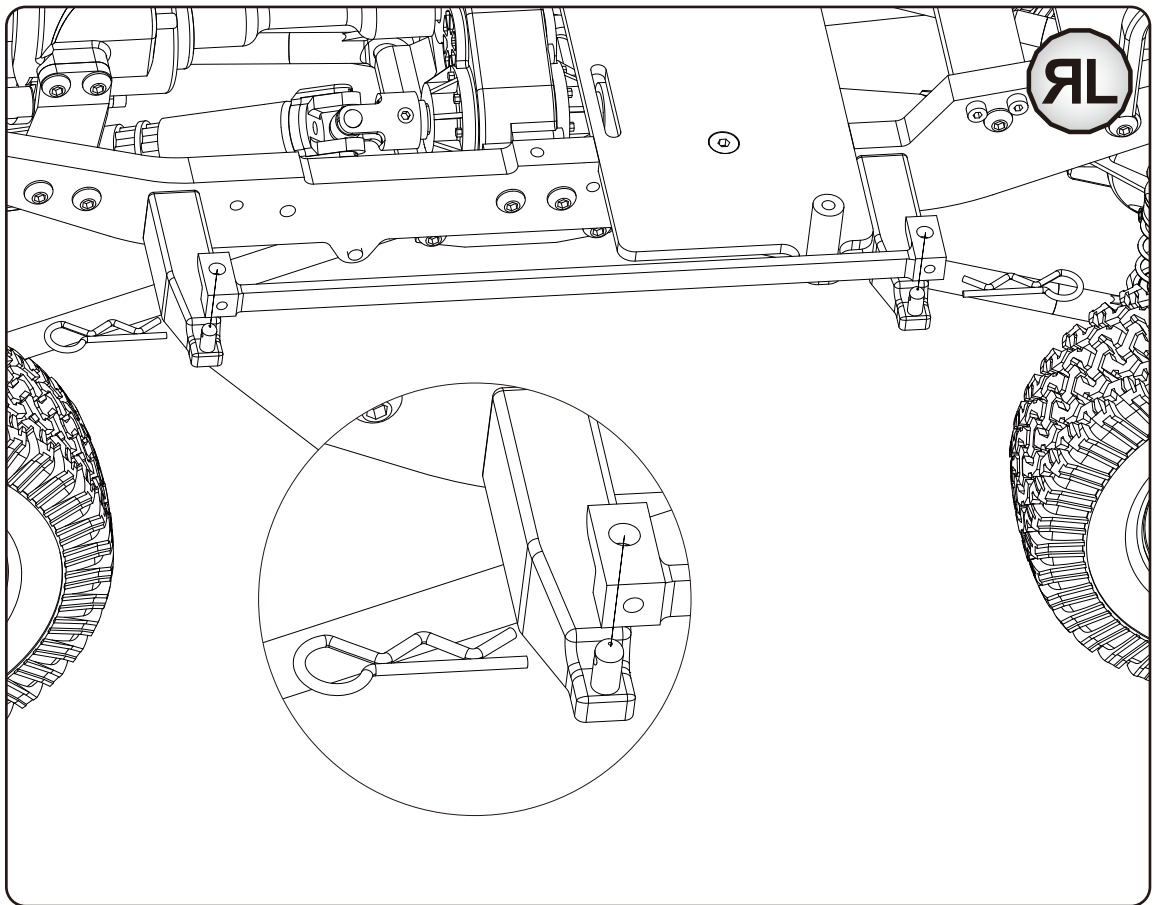
RC4WD
Step 53

 X4
175-0011
M4 Flanged Lock Nut




RC4WD
Step 54

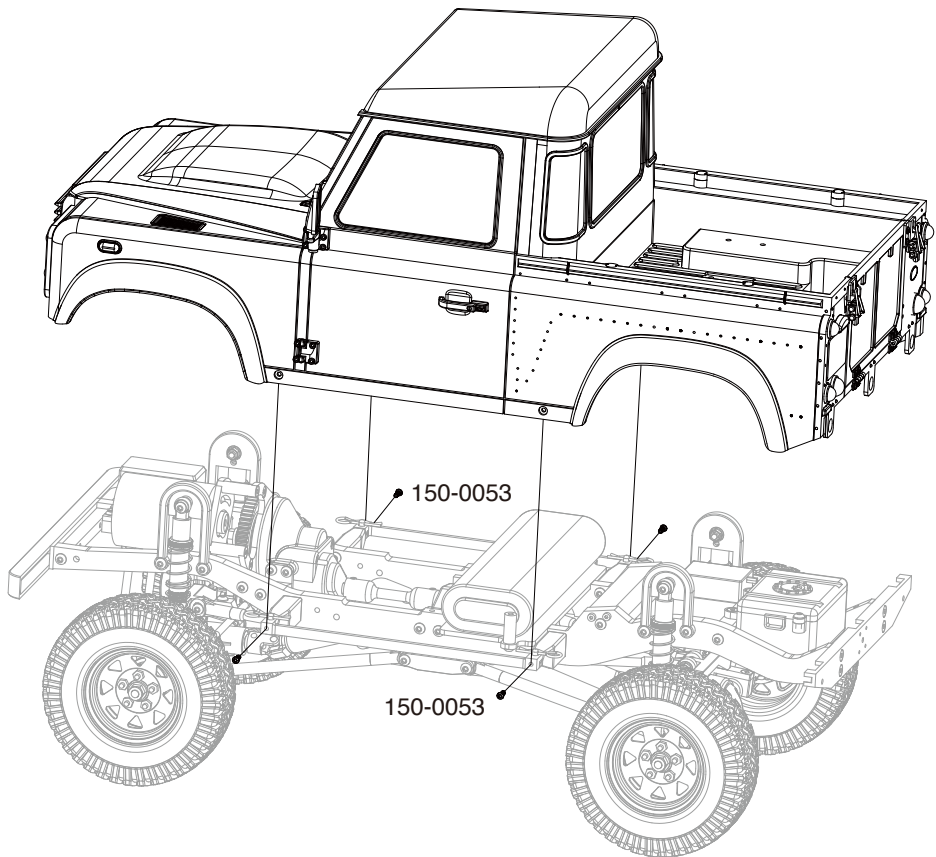
 X2
Silver Steel
Body Clips



RC4WD


Step 55

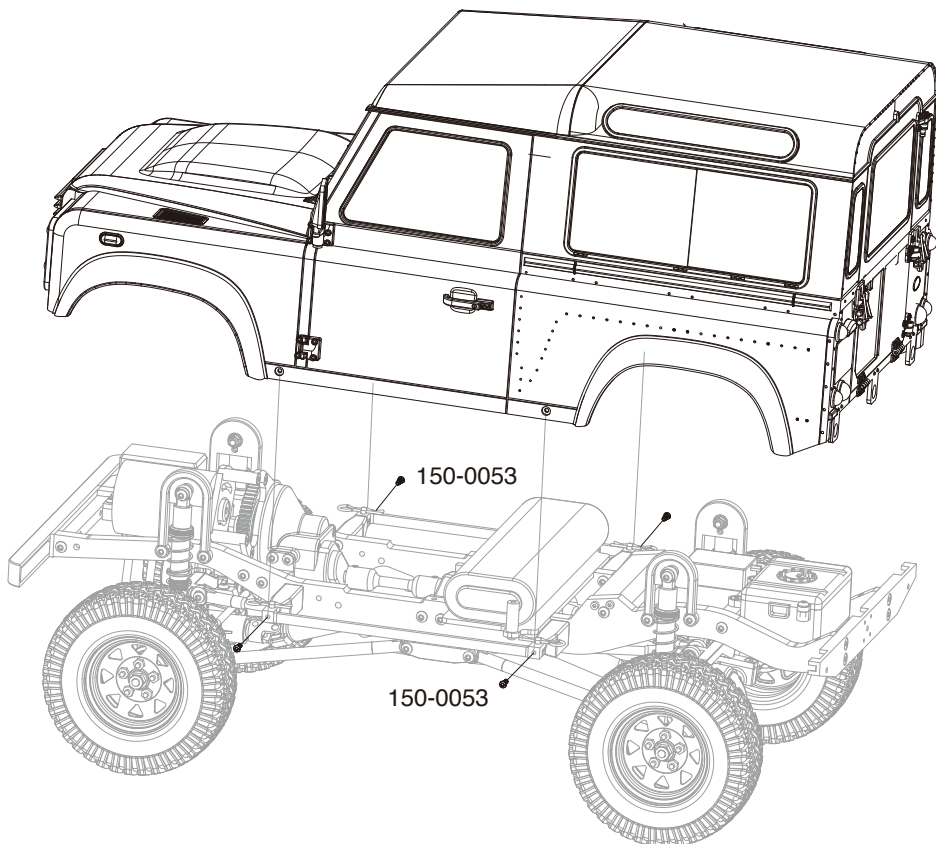
 X4
150-0053
M2.5 x 6mm BHCS



RC4WD

Step 56

 X4
150-0053
M2.5 x 6mm BHCS



SPARE PARTS

Piezas de repuesto / Pièces de rechange / Ersatzteile

- Z-A0080 Gelande 2 Front 3 Link & Panhard Mount (Black)
- Z-A0081 Gelande 2 Rear 4 Link Mount
- Z-C0040 Yota II Ultimate Scale Cast Axle (Front)
- Z-D0039 Yota II Ultimate Scale Cast Axle (Rear)
- Z-H0016 RC4WD Plastic Punisher Shaft V2(95mm - 110mm / 3.74" - 4.33") 5mm Hole
- Z-S0060 M3 Medium Straight Plastic Rod End (20x)
- Z-S0061 M3 Short Bent Plastic Rod End (20x)
- Z-S0238 M3 Mini Plastic Rod End (20x)
- Z-S0398 M3 Offset Short Plastic Rod End (20x)
- Z-S0399 14t 32p Hardened Steel Pinion Gear
- Z-S0401 Yota Front Steel Axle Shaft
- Z-S0402 Yota Steel Straight Axle Shaft (Rear)
- Z-S0430 Gelande 2 Chassis Set
- Z-S0552 Battery Plate for Gelande 2
- Z-S0592 Servo Mounts for Gelande 2 Chassis
- Z-S0600 Fuel Cell Radio Box
- Z-S0791 Hammer Transfer Case (1.47/1)
- Z-S0792 BigDog 1/10 Tri Axle Widebody Scale Boat Trailer
- Z-S0794 Transfer Case and Lower 4 Link Mount for Gelande 2 Chassis
- Z-S0795 R3 Scale Single Speed Transmission
- Z-S0798 RC4WD 12mm Axle Wheel Hex Set
- Z-S0799 Front Shock Hoops for Gelande 2 Chassis
- Z-S0800 Rear Shock Hoops for Gelande 2 Chassis
- Z-S0801 Gelande 2 Front Replacement Bumper
- Z-S0802 Gelande 2 Rear Replacement Bumper
- Z-S0803 R3 Single Speed Transmission Mounts
- Z-S0805 Metal Drive Coupling for Gelande 2
- Z-S0806 73mm (2.87") Aluminum Link for Gelande 2
- Z-S0807 59mm (2.32") Aluminum Link for Gelande 2
- Z-S0809 65.3mm (2.57") Aluminum Link for Gelande 2
- Z-S0817 70mm (2.75") Aluminum Link for Gelande 2
- Z-S0819 Dual Spring 80mm Scale Black Shocks (Ver 2)
- Z-S0821 5 Lug Wagon 1.9" Steel Stamped Beadlock Wheels (Black)
- Z-S0822 Dirt Grabber 1.9" All Terrain Tires
- Z-S2019 Heavy Duty Nylon Strap Lock (5)
- Z-T0005 Heavy Duty Metal Servo Arm 25t Futaba
- Z-U0024 1mm Black Spacer with M3 Hole (10)
- Z-U0027 2mm Black Spacer with M3 Hole (10)
- Z-U0028 3mm Black Spacer with M3 Hole (10)
- Z-W0129 5mm Black Spacer with M3 Hole (10)

RECOMMENDED EQUIPMENT

Equipo recomendado / Équipement recommandé / Empfohlene Ausrüstung

- Z-E0004 540 Crawler Brushed Motor 45T
- Z-E0035 Twister High Torque Metal Gear Digital Servo
- Z-E0090 RC4WD 6-Cell 3000mAh NIMH Battery Pack
- Z-E0113 Outcry III Waterproof ESC
- Z-E0118 Outcry Extreme Speed Controller ESC w/ Program Card
- Z-R0009 XR3 3-Channel 2.4Ghz Transmitter/Receiver Radio



OPTIONAL PARTS

Partes opcionales / Pièces en option / Optionale teile

Z-B0215	RC4WD 2015 Land Rover Defender D90 Body Set
Z-S0247	RC4WD Snorkel for Gelande II D90/D110
Z-S0532	1.9 5 Lug Steel Wheel Hex Hub with Brake Rotor
Z-S0573	Ultra Punisher Shafts (83.7MM - 105MM / 3.29" - 4.13") 5MM Hole
Z-S0756	RC4WD Drive Flange Wheel Nut Cover
Z-S0824	Gelande 2 Steering Guard
Z-S0850	RC4WD Mickey Thompson Metal Series 1/10 Wheel Center Caps (2)
Z-S0986	Superlift Adjustable Steering Stabilizer (90mm-120mm)
Z-S1054	Scale Steel Punisher Shaft (77mm - 100mm / 3.03" - 3.94")
Z-S1194	Inner Fender Set for Gelande II D90/D110 Body
Z-S1266	Scale Rear Hubs V2
Z-S1504	Blade Snow Plow Mounting kit for Gelande 2
Z-S1656	D90/110 Aluminum Hood and Side Vents
Z-S1741	Big Boss Fender Flare Set for D90/D110
Z-S1752	Gelande II Leaf Spring Kit
Z-S1781	RC4WD Standard Hitch with Hitch Mount
Z-S1855	RC4WD KC HiLiTES KC Light Set
Z-S1856	RC4WD KC HiLiTES Daylighter Light Set
Z-S1887	Land Rover 1/10 D90/D110 Metal Grill
Z-S1888	Land Rover Mud Flaps for Gelande II D90/D110
Z-S1897	Super Soft Flex Leaf Springs for Gelande II (4)
Z-S1902	Scale Steel Punisher Shaft (87mm - 110mm / 3.42" - 4.33")
Z-S1924	RC4WD Rancho Diff Cover for Yota II Axle
Z-S1949	RC4WD Rancho Adjustable Steering Stabilizer (70-100mm)
Z-T0022	Rocky Country 1.55" Truck Tires
Z-T0029	Mud Hogs 1.55" Scale Tires
Z-T0163	RC4WD Interco IROK ND 1.55" Scale Tires
Z-T0169	RC4WD Falken Wildpeak A/T3W 1.55 Scale Tires
Z-T0177	RC4WD Goodyear Wrangler Duratrac 1.55" 4.19" Scale Tires
Z-T0179	RC4WD Falken Wildpeak M/T 1.7" Tires
Z-T0181	RC4WD Milestar Patagonia A/T 1.7" Tires
Z-T0182	RC4WD Interco Narrow TSL SS 1.55 Scale Tires
Z-T0186	Compass M/T 1.55" Scale Tires
Z-T0193	RC4WD Michelin Agilis C-Metric 1.9" Tires
Z-T0194	RC4WD Michelin LTX A-T2 1.7" Tires
Z-T0195	RC4WD Falken Wildpeak A/T Trail 1.9" Scale Tires
Z-T0196	RC4WD Mickey Thompson Baja Pro X 4.19 1.7 Scale Tires
Z-U0037	RC4WD Advance Adapters Atlas II Transfer Case (1.47/1)
Z-U0039	RC4WD Over/Under Drive Transfer Case
Z-W0038	Tango Down 1.9" Internal Beadlock Wheels (Black)
Z-W0075	1.9" Landies Internal Beadlock Wheels
Z-W0103	Black Mesh 1.55" Beadlock Wheels
Z-W0118	RC4WD Ballistic Off Road Morax 1.7" Beadlock Wheels
Z-W0121	TRunner Classic 1.55" Beadlock Wheels
Z-W0122	RC4WD Enforcer 1.9" Beadlock Wheels
Z-W0151	JK 1.9" Scale Beadlock Wheels
Z-W0152	Scamp 1.55" Beadlock Wheels
Z-W0258	OEM Stamped Steel 1.55" Beadlock Wheels (Plain)
Z-W0260	OEM Stamped Steel 1.55" Beadlock Wheels (White)
Z-W0261	RC4WD Ballistic Off Road Rage 1.9" Beadlock Wheels
Z-W0262	OEM Stamped Steel 1.55" Beadlock Wheels (Black)
Z-W0264	OEM Stamped Steel 1.55" Beadlock Wheels (Chrome)
Z-W0265	Truescale Series 1.7" Beadlock Wheels
Z-W0266	RC4WD Benchmark 1.7" Beadlock Wheels





RC4WD

737 N. Gateway St.

Visalia, CA 93291

Web: www.rc4wd.com - Email: support@rc4wd.com

100-0090